

SMD ■ A

EASG2520RA0



Features

- Package in 12mm tape on 7" diameter reel.
- Compatible with automatic placement equipment.
- EIA Std. package.
- Mono-color type.
- Pb-free.
- The product itself will remain within RoHS compliant version.
- Compliance with EU REACH.
- Compliance Halogen Free .(Br <900 ppm ,Cl <900 ppm , Br+Cl < 1500 ppm)

Description

- The SMD LED is much smaller than leaded components .

Thus enable smaller board size. Higher packing density. Reduced storage space and finally smaller equipment to be obtained.

- Besides, light weight makes them ideal for miniature applications.
- Furthermore by automation assembly machines the accuracy is anticipated.

Applications

- Small indicator for indoor applications.
- Flat backlight for LCD, switches and symbols.
- Indicator and backlight in office equipment.
- Indicator and backlight for battery driven equipment.
- Indicator and backlight for audio and video equipment.
- Backlighting in dashboards and switches.
- Telecommunication : indicator and backlighting in telephone and fax.

Device Selection Guide

Chip Materials	Emitted Color	Resin Color
GaAIAs	Brilliant Red	White Clear

Absolute Maximum Ratings (Ta=25 °C)

Parameter	Symbol	Rating	Unit
Reverse Voltage	V_R	5	V
Forward Current	I_F	20	mA
Peak Forward Current (Duty 1/10 @1KHz)	I_{FP}	60	mA
Power Dissipation	P_d	60	mW
Operating Temperature	T_{opr}	-40 ~ +85	
Storage Temperature	T_{stg}	-40 ~ +90	
Electrostatic Discharge	ESD_{HBM}	2000	V
Soldering Temperature	T_{sol}	Reflow Soldering : 260 Hand Soldering : 350	for 10 sec. for 3 sec.

Electro-Optical Characteristics (Ta=25)

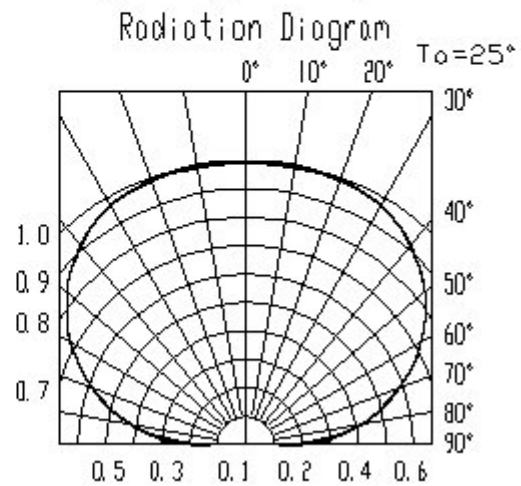
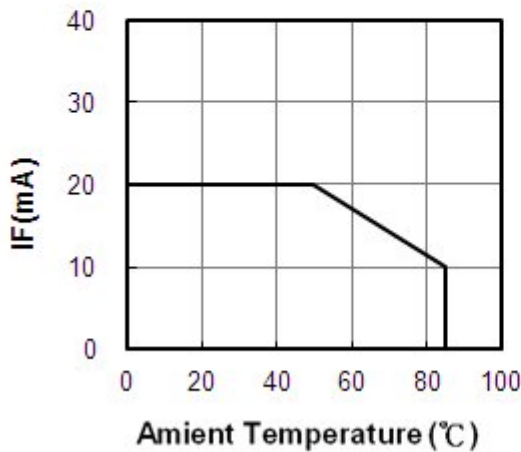
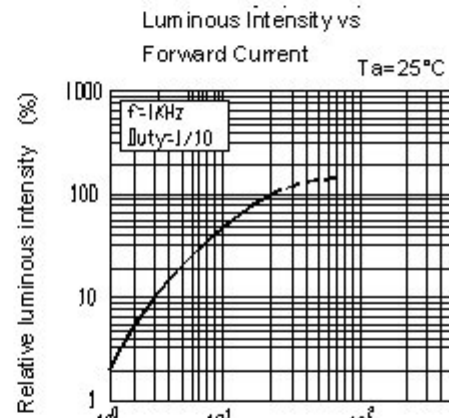
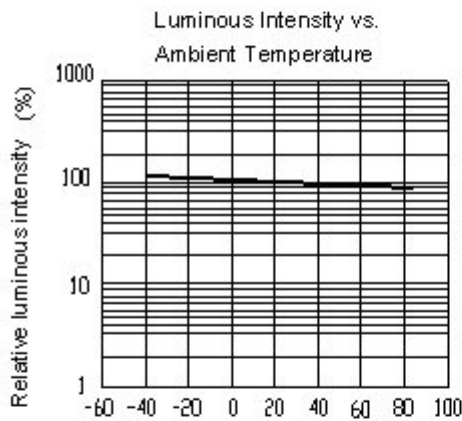
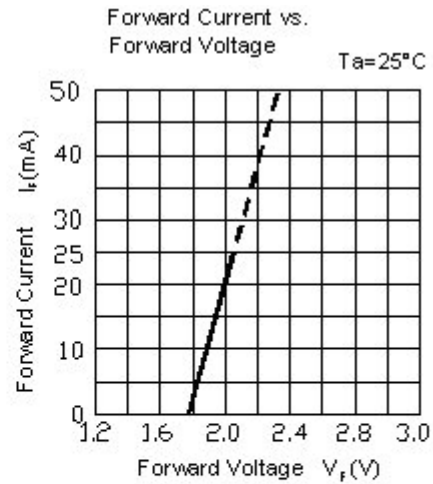
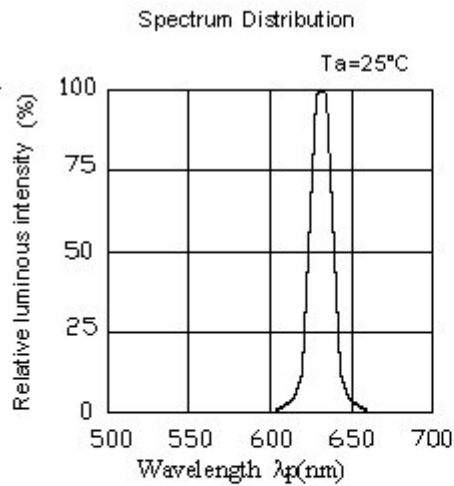
Parameter	Symbol	Min.	Typ.	Max.	Unit	Condition
Luminous Intensity	Iv	12	29	-----	mcd	I _F =20mA
Viewing Angle	2θ _{1/2}	-----	150	-----	deg	I _F =20mA
Peak Wavelength	λ _p	-----	632	-----	nm	I _F =20mA
Dominant Wavelength	λ _d	-----	624	-----	nm	I _F =20mA
Spectrum Radiation Bandwidth	λ	-----	20	-----	nm	I _F =20mA
Forward Voltage	V _F	-----	2.0	2.4	V	I _F =20mA
Reverse Current	I _R	-----	-----	10	μA	V _R =5V

Notes:

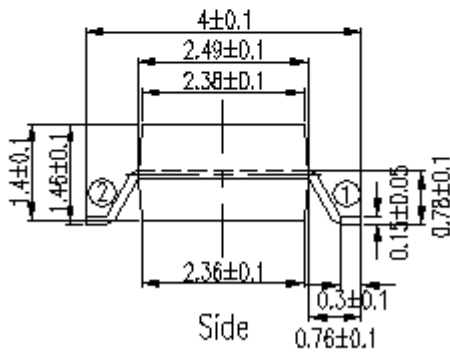
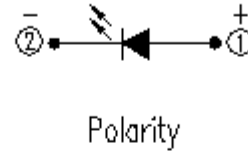
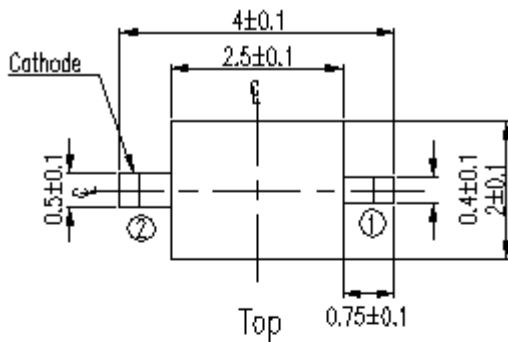
1. Tolerance of Luminous Intensity: ±11%
2. Tolerance of Forward Voltage : ±0.1V
3. Tolerance of Dominant Wavelength:±1nm

Typical Electro-Optical Characteristics Curves

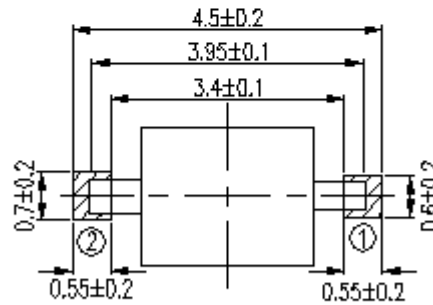
CONFIDENTIAL



Package Outline Dimensions



Recommend Soldering Pad



**Suggested pad dimension is just for reference only.
Please modify the pad dimension based on individual need.**

CONFIDENTIAL

Note: The tolerances unless mentioned are ±0.1, unit=mm.

Package Outline Dimensions

Label Explanation



EVERLIGHT AMERICA



- CAT: Luminous Intensity Rank
- HUE: Dom. Wavelength Rank
- REF: Forward Voltage Rank

CPN: XXXXXXXXXXXX

P/N: XXXXXXXXXXXX



RoHS

XXXXXXXXXXXXXXXXXXXX

QTY: XXXX

CAT: XXX



HUE: XXX

REF: XXX

LOT NO: XXXXXXXXXXXXXXXXXXXX



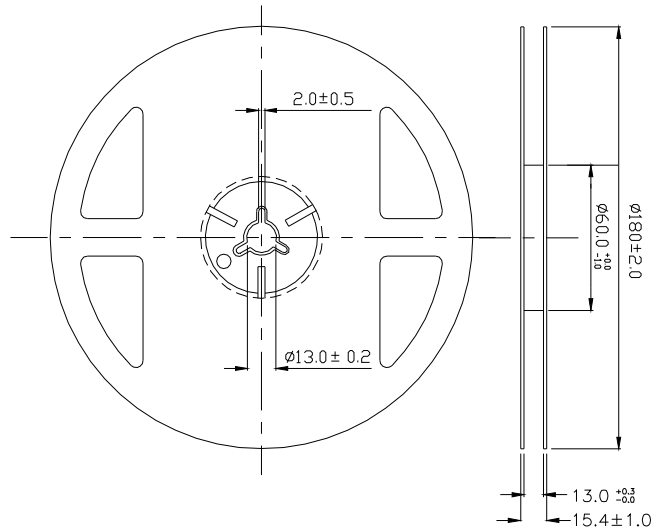
REFERENCE: XXXXXXXXXXXX



MADE IN TAIWAN

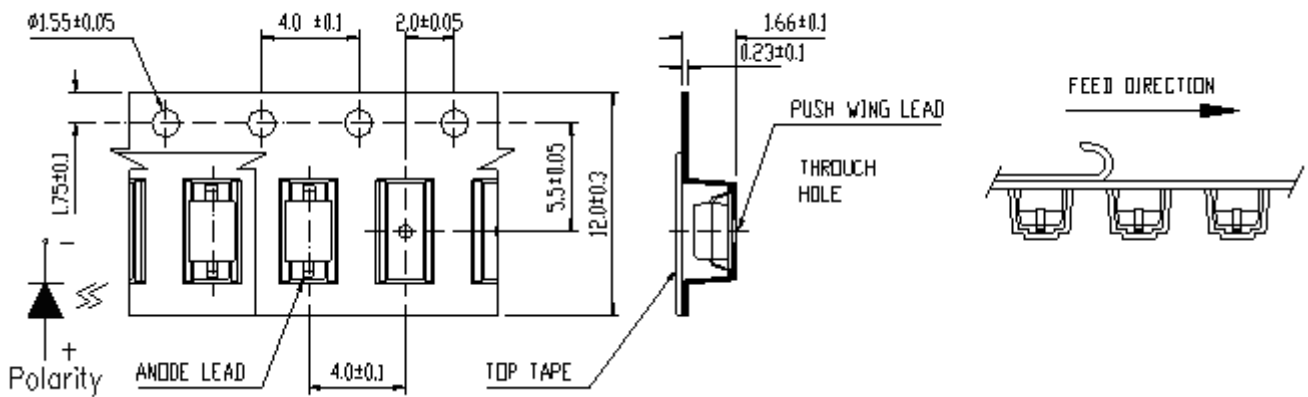
CONFIDENTIAL

Reel & Carrier Tape Dimensions



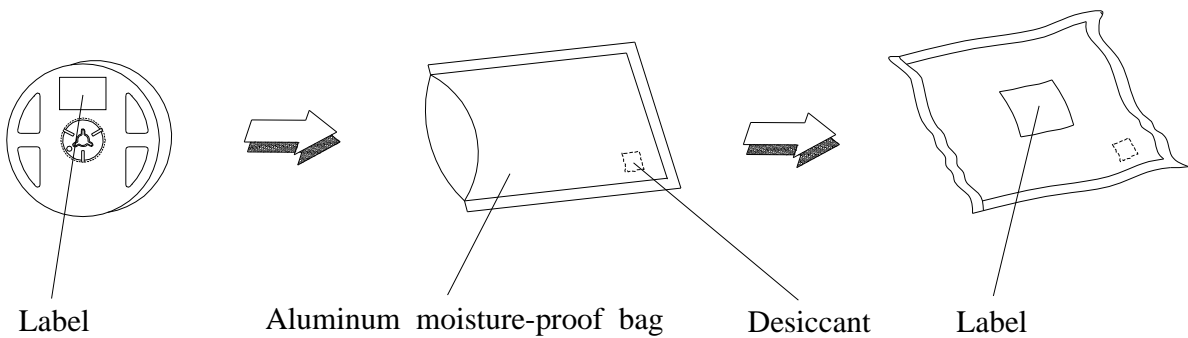
Note: The tolerances unless mentioned are ± 0.1 , unit=mm

Loaded quantity 2000 PCS per reel



Note: The tolerances unless mentioned are ± 0.1 , unit=mm.

Moisture Resistant Packaging



CONFIDENTIAL

Precautions For Use

1. Over-current-proof

Customer must apply resistors for protection, otherwise slight voltage shift will cause big current change (Burn out will happen).

2. Storage

- 2.1 Do not open moisture proof bag before the products are ready to use.
- 2.2 Before opening the package: The LEDs should be kept at 30 °C or less and 90%RH or less.
- 2.3 After opening the package: The LED's floor life is 168 hours under 30 °C or less and 60% RH or less.

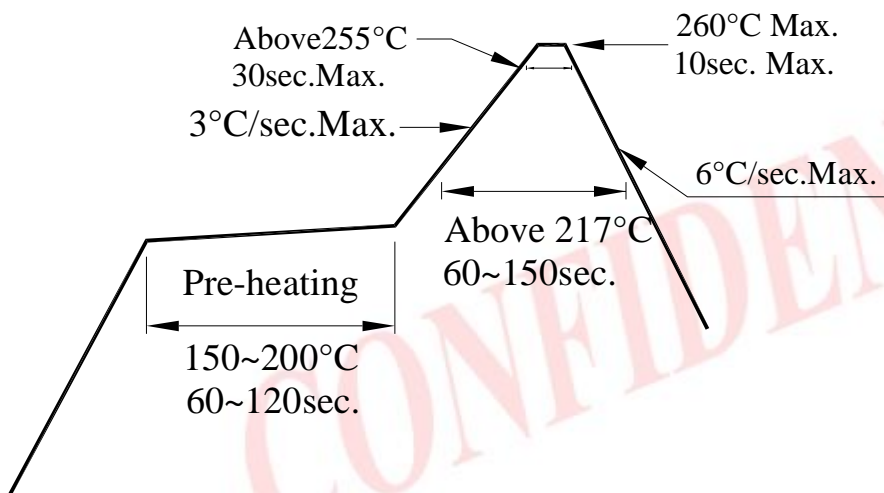
If unused LEDs remain, it should be stored in moisture proof packages.

- 2.4 If the moisture absorbent material (silica gel) has faded away or the LEDs have exceeded the storage time, baking treatment should be performed using the following conditions.

Baking treatment : 60±5 °C for 24 hours.

3. Soldering Condition

3.1 Pb-free solder temperature profile



- 3.2 Reflow soldering should not be done more than two times.
- 3.3 When soldering, do not put stress on the LEDs during heating.
- 3.4 After soldering, do not warp the circuit board.

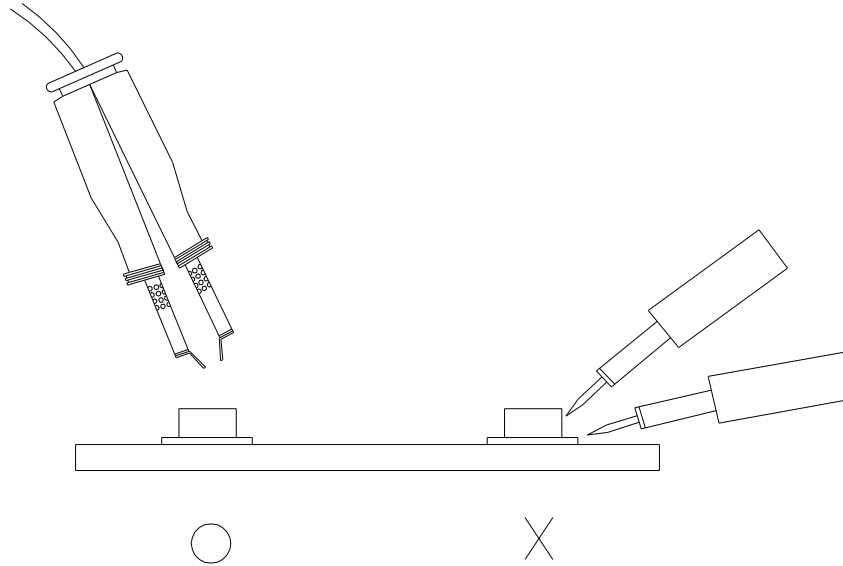
4. Soldering Iron

Each terminal is to go to the tip of soldering iron temperature less than 350 °C for 3 seconds within once in less than the soldering iron capacity 25W. Leave two seconds and more intervals, and do soldering of each terminal. Be careful

because the damage of the product is often started at the time of the hand solder.

5.Repairing

Repair should not be done after the LEDs have been soldered. When repairing is unavoidable, a double-head soldering iron should be used (as below figure). It should be confirmed beforehand whether the characteristics of the LEDs will or will not be damaged by repairing.



CONFIDENTIAL