

Ambient Light Sensor – DIP 5mm T-1 3/4 EAALSIC05RDMA0



Features

- Excellent IR-Cut performance
- Close responsively to the human eye spectrum
- Light to Current, analog output
- Good output linearity across wide illumination range
- Low sensitivity variation across various light sources
- Operation temperature performance, -40°C to 85°C
- Wide supply voltage range, 1.8V to 5.5V
- Size: 5mm Lamp (Flat lens)
- RoHS compliant package
- Compliance with EU REACH.

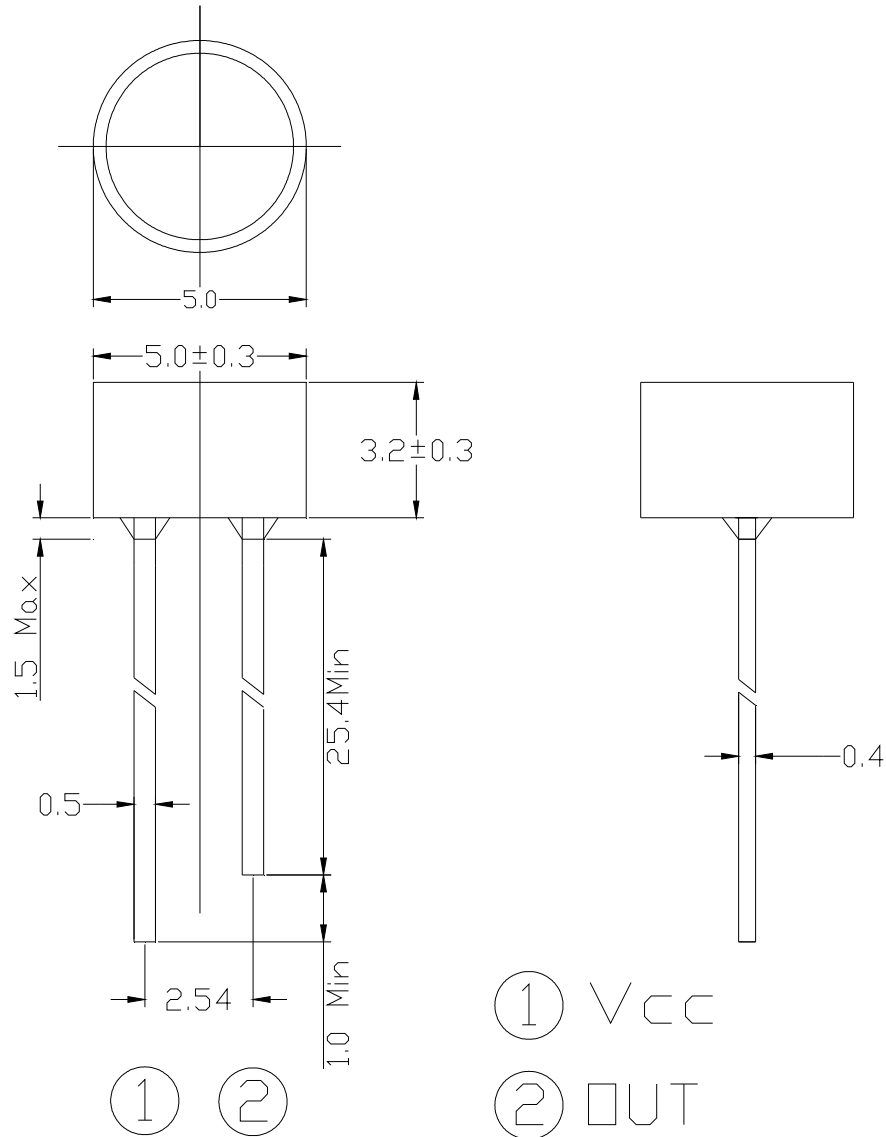
Description

The EAALSIC05RDMA0 is an ambient light sensor, which incorporates a photodiode and a current amplifier IC in DIP package. Everlight Americas ALS series products are a good effective solution to the power saving of display backlighting of mobile appliances, such as the mobile phones, NB and PDAs. Due to the high rejection ratio of infrared radiation, the spectral response of the ambient light sensor is close to human eyes. Also, it is very suitable to use ALS product for opto-switch application.

Applications

- Ambient light monitoring device for daylight and artificial light
 - CCD camera/CCTV security equipment, Street light
- Detection of ambient light to control display backlighting
 - Computing device – TFT LCD monitor for Notebook computer
 - Consumer device – TFT LCD TV, video camera, digital camera, toys

Package Dimensions



Notes:

1. All dimensions are in millimeters
2. Tolerances unless dimensions ± 0.1 mm

Absolute Maximum Ratings

Parameter	Symbol	Rating	Unit
Supply Voltage	V_{CC}	-0.7~6.5	V
Operating Temperature Range	T_{opr}	-40~+85	°C
Storage Temperature Range	T_{stq}	-40~+100	°C
Soldering Temperature Range	T_{sol}	260	°C

Recommended Operating Conditions

Parameter	Symbol	Min.	Max.	Unit
Operating Temperature	T_{opr}	-40	+85	°C
Supply Voltage	V_{CC}	1.8	5.5	V

Rankings

Bin Code	Symbol	Min.	Max.	Unit	Test Condition
1	I_{PH2}	10	16	uA	$V_{CC}=3V$ $E_V=100Lux$
2		14	23		
3		20	30		
4		26	35		

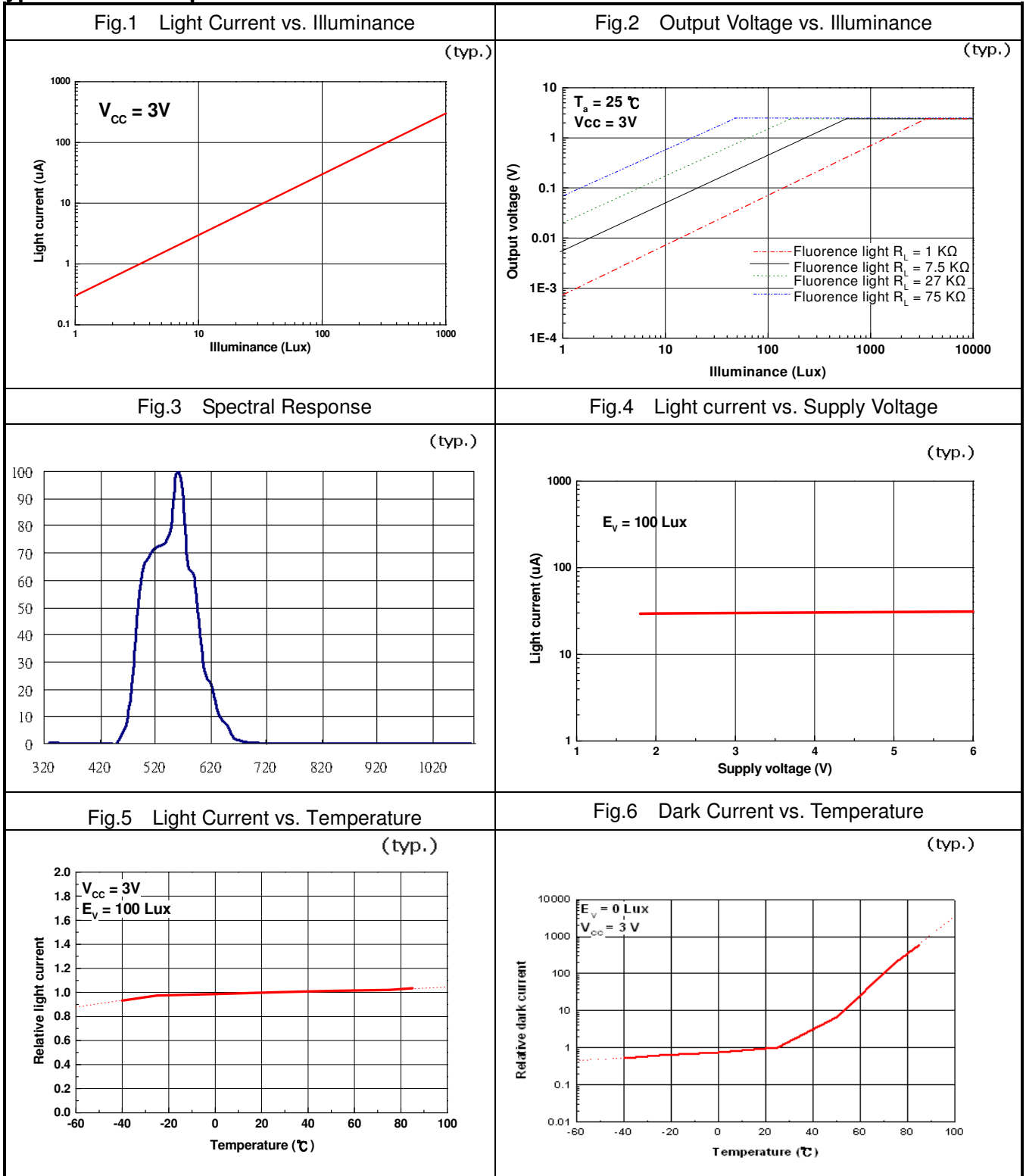
Electro-Optical Characteristics (Ta=25°C)

Parameter	Symbol	Min.	Typ.	Max.	Unit	Condition
Dark Current	I_D	---	0.05	0.1	uA	$V_{CC}=3V$ $E_V=0Lux$
Light Current	I_{PH1}	1	---	3.5	uA	$V_{CC}=3V$ $E_V=10Lux$ [Note1]
	I_{PH2}	10	---	35		$V_{CC}=3V$ $E_V=100Lux$ [Note1]
	I_{PH3}	100	---	350		$V_{CC}=3V$ $E_V=1000Lux$ [Note1]
	I_{PH4}	100	300	---		$V_{CC}=3V$ $E_V=1000Lux$ [Note2]
Photocurrent Ratio	I_{PH4} / I_{PH3}	---	1.2	---	---	$V_{CC}=3V$ $E_V=1000Lux$
Peak Sensitivity Wavelength	λ_p	---	560	---	nm	---
Sensitivity Wavelength Range	λ	390	---	700	nm	---
Rise Time	t_r	---	0.36	---	ms	$V_{CC}=3V$
Fall Time	t_f	---	1.13	---	ms	$R_L = 27K\Omega$
Angle of half Sensitivity	$2\theta_{1/2}$	---	143	---	Deg	$I_F = 20 mA$

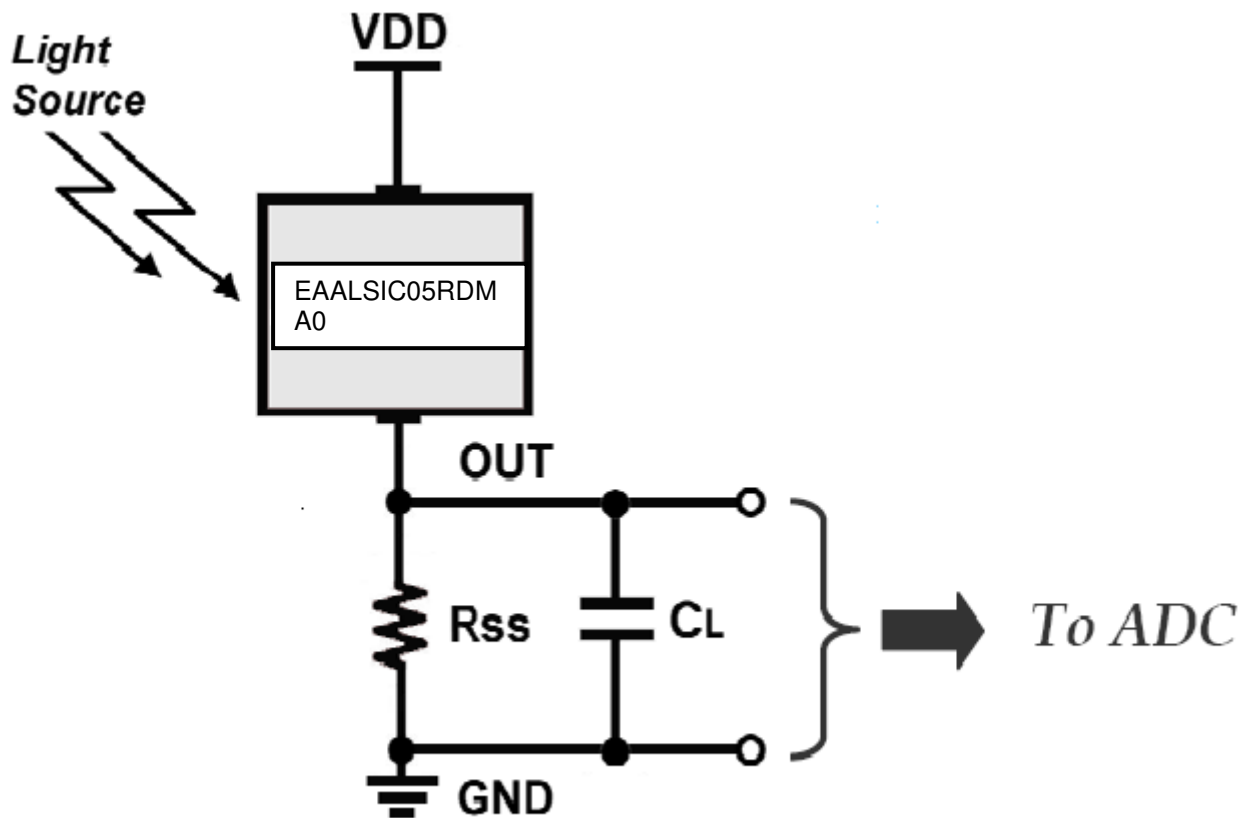
Note:

1. White Fluorescent light (Color Temperature = 6500K) is used as light source. However, White LED is substituted in mass production.
2. Illuminance by CIE standard illuminant-A / 2856K, incandescent lamp.

Typical Electro-Optical Characteristics Curves



Converting Photocurrent to Voltage



Note :

1. The output voltage (V_{out}) is the product of photocurrent (I_{PH}) and loading resistor (R_L)
2. A right loading resistor shall be chosen to meet the requirement of maximum ambient light, and output saturation voltage:

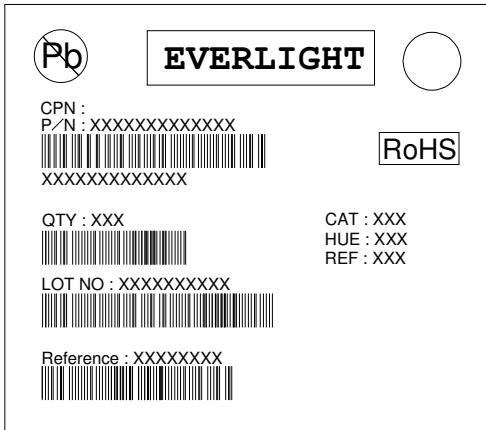
$$V_{out(max.)} = I_{out(max.)} \times R_L \leq V_{out(saturation)} = V_{cc} - 0.8V$$

Packing Quantity Specification

1.500PCS/1Bag · 5Bags/1Box

2.10Boxes/1Carton

Label Format



- CPN : Customer's Product Number
- P/N : Product Number
- QTY : Packing Quantity
- CAT : Ranks
- HUE : Peak Wavelength
- REF : Reference
- LOT No : Lot Number

Note :

1. Above specification may be changed without notice. Everlight Americas will reserve authority on material change for above specification.
2. When using this product, please observe the absolute maximum ratings and the instructions for using outlined in these specification sheets. Everlight Americas assumes no responsibility for any damage resulting from use of the product which does not comply with the absolute maximum ratings and instructions included in these specification sheets.
3. These specification sheets include materials protected under copyright of Everlight Americas Inc. Please don't reproduce or cause anyone to reproduce them without Everlight Americas's consent.