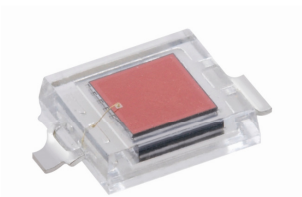


### Ambient Light Sensor – Surface Mount EAALSDSY6444A0



#### Features

- Close to the human eye's response
- Low sensitivity variation across various light sources
- Operating temperature performance, -40°C to 85°C
- Wide supply voltage range, 2.5V to 5.5V
- Size : 4.4mm(L)\*3.9mm(W)\*1.2mm(H)
- RoHS compliant and Pb Free package
- Compliance with EU REACH
- Compliance Halogen Free (Br <900 ppm ,Cl <900 ppm , Br+Cl < 1500 ppm)
- Compliance with EU REACH.

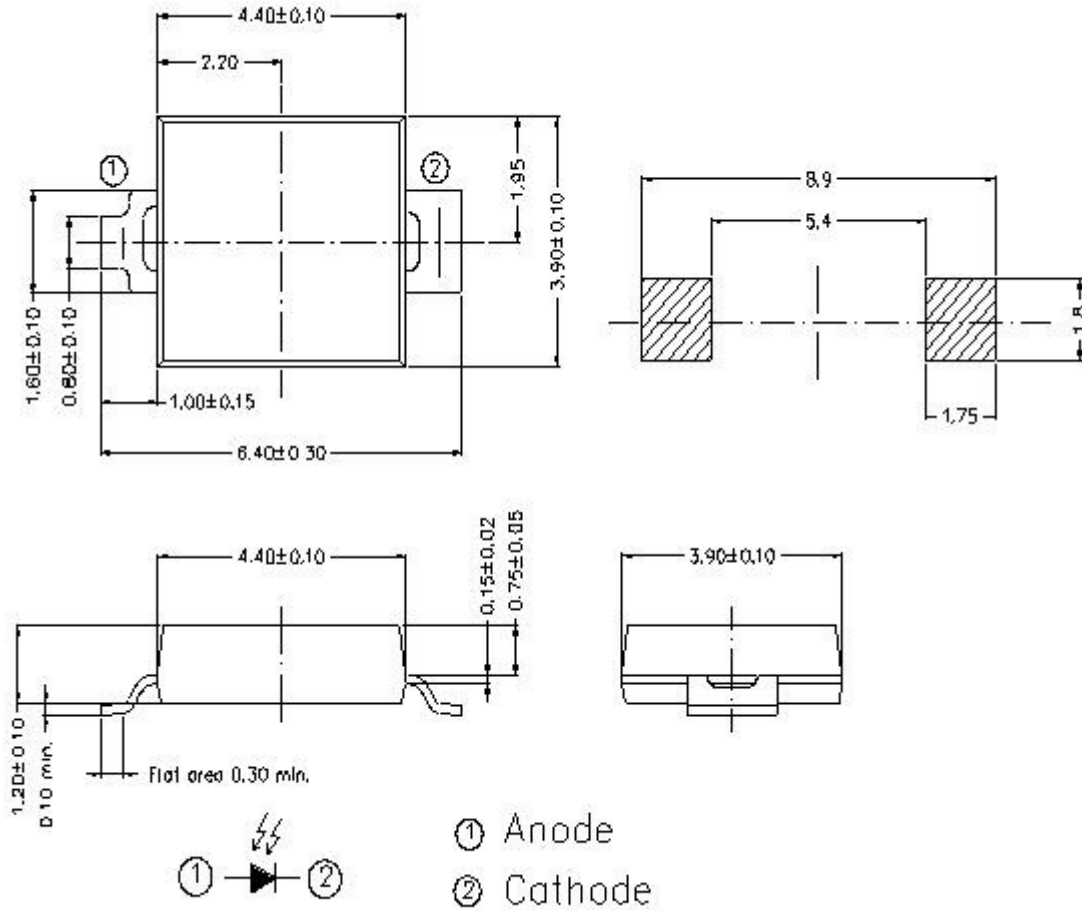
#### Description

EAALSDSY6444A0 Ambient Light Sensor Device, consisting of a photodiode in miniature SMD package, which is molded in water clear with flat top. It is a good effective solution to the power saving of display backlighting of mobile appliances, such as the mobile phones and PDAs. Due to the high rejection ration of infrared radiation, the spectral response of the ambient light sensor is close to that of human eyes.

#### Applications

- Detection of ambient light for controlling the backlighting of TFT LCD display
- Automatic residential and commercial lighting management
- Automatic contrast enhancement for electronic signboard
- Ambient light monitoring device for daylight and artificial light

## Package Dimensions



### Notes:

1. All dimensions are in millimeters
2. Tolerances unless dimensions  $\pm 0.1$  mm

### Absolute Maximum Ratings

Parameter	Symbol	Condition	Rating	Unit
Reverse Breakdown Voltage	$V_{BR}$	$I_R=100\mu A$	35	V
Forward Voltage	$V_F$	$I_F=10mA$	0.5~1.3	V
Operating Temperature	$T_{opr}$	--	-40~+85	°C
Storage Temperature	$T_{stq}$	--	-40~+85	°C
Soldering Temperature	$T_{sol}$	--	260	°C

### Recommended Operating Conditions ( $T_a=25^\circ C$ )

Parameter	Symbol	Min.	Max.	Unit
Operating Temperature	$T_{opr}$	-40	+85	°C

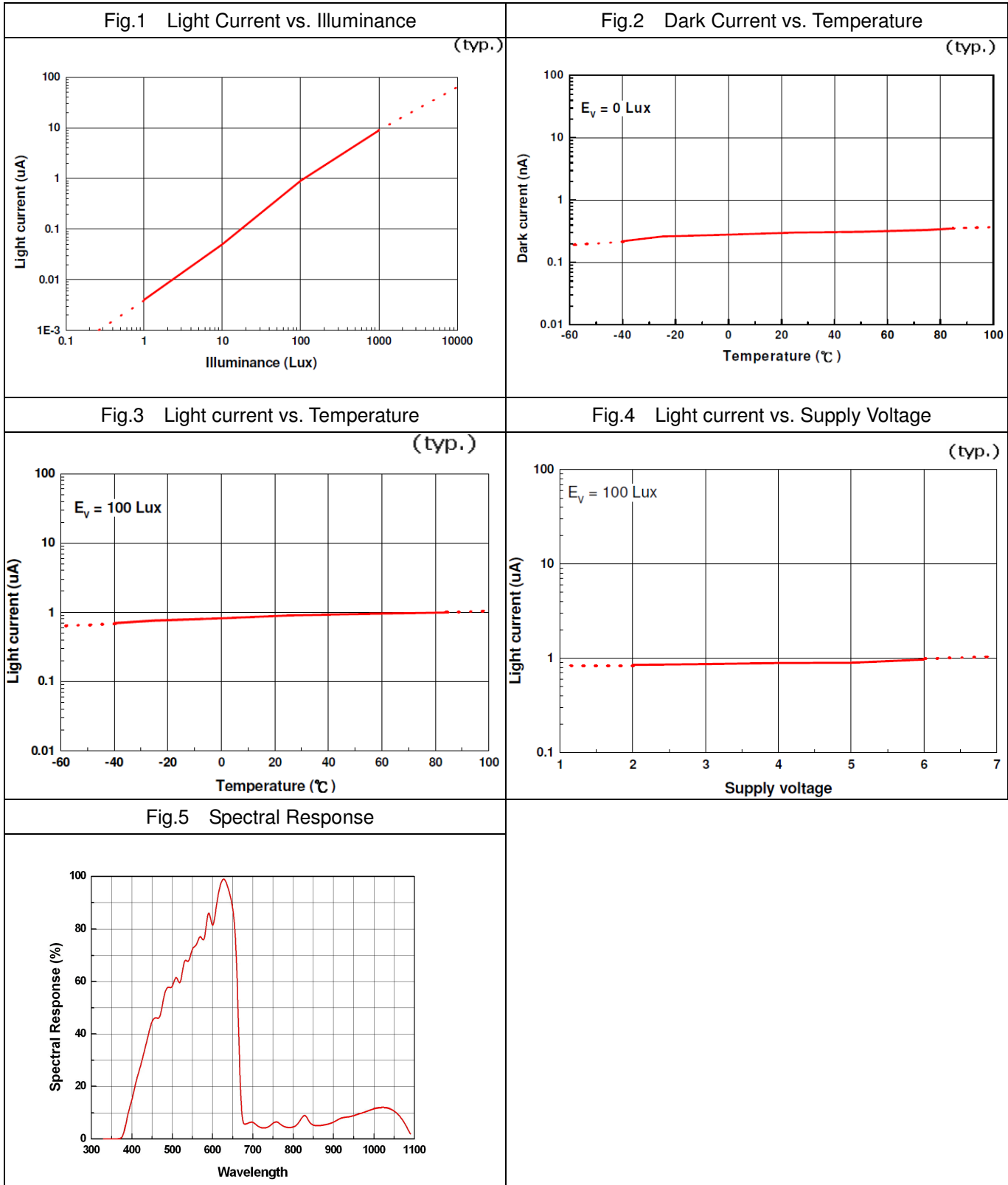
### Electrical and Optical Characteristics (T<sub>a</sub>=25°C)

Parameter	Symbol	Min.	Typ.	Max.	Unit	Condition
Dark Current	I <sub>D</sub>	---	2	10	nA	E <sub>V</sub> =0Lux V <sub>R</sub> =5V
Light Current	I <sub>L1</sub>	---	1.1	---	uA	V <sub>R</sub> =5V E <sub>V</sub> =100Lux <a href="#">[Note1]</a>
	I <sub>L2</sub>	---	9.5	---		V <sub>R</sub> =5V E <sub>V</sub> =1000Lux <a href="#">[Note1]</a>
	I <sub>L3</sub>	---	12	---		V <sub>R</sub> =5V E <sub>V</sub> =1000Lux <a href="#">[Note2]</a>
Peak Sensitivity Wavelength	λ <sub>p</sub>	---	630	---	nm	---
Sensitivity Wavelength Range	λ	390	---	<b>700</b>	nm	---

**Note :**

1. White Fluorescent light (Color Temperature = 6500K) is used as light source. However, White LED is substituted in mass production.
2. Illuminance by CIE standard illuminant-A / 2856K, incandescent lamp.

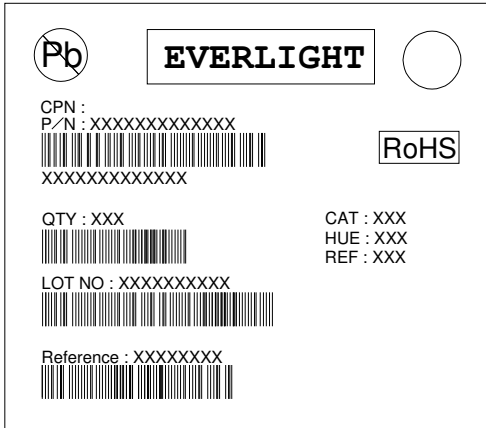
**Typical Electro-Optical Characteristics Curves**



### Packing Quantity Specification

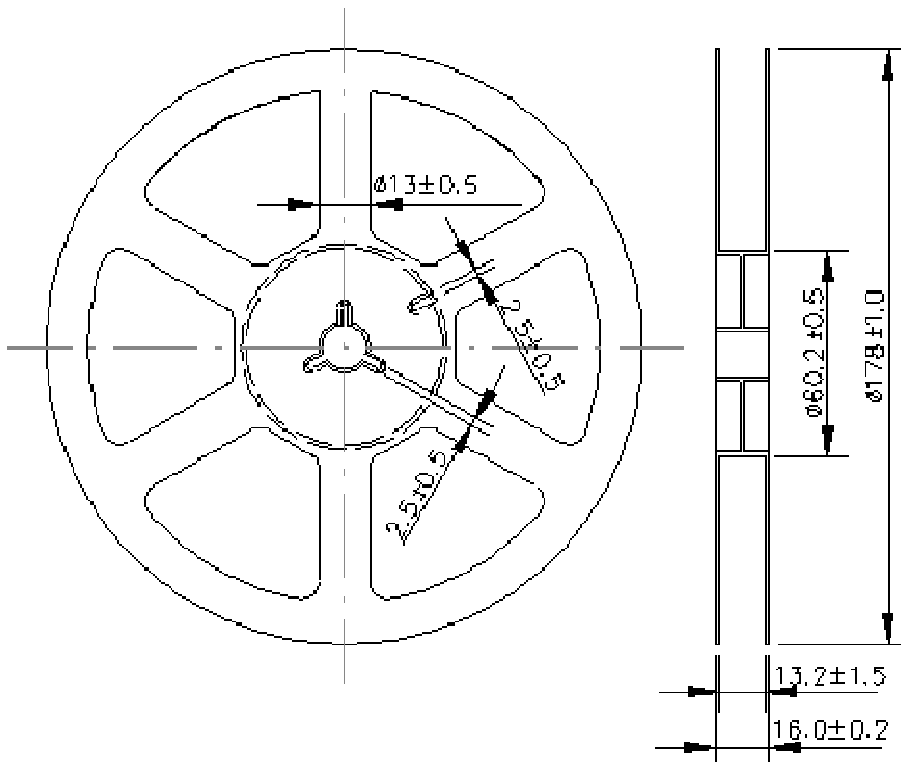
- 1.1000Pcs/1Volume , 1Volume/1Bag
- 2.10Boxes/1Carton

### Label Format

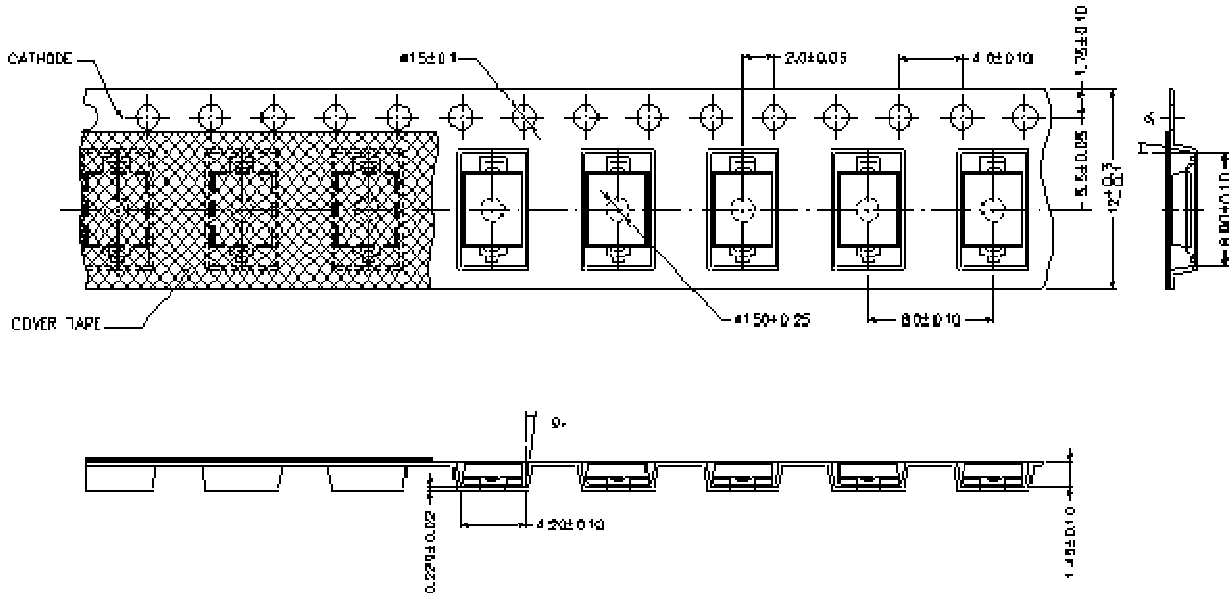


- CPN : Customer's Product Number
- P/N : Product Number
- QTY : Packing Quantity
- CAT : Ranks
- HUE : Peak Wavelength
- REF : Reference
- LOT No : Lot Number

### Reel Dimensions



### Loaded Quantity Per Reel 1000PCS/Reel



#### Note :

1. Above specification may be changed without notice. Everlight Americas will reserve authority on material change for above specification.
2. When using this product, please observe the absolute maximum ratings and the instructions for using outlined in these specification sheets. Everlight Americas assumes no responsibility for any damage resulting from use of the product which does not comply with the absolute maximum ratings and instructions included in these specification sheets.
3. These specification sheets include materials protected under copyright of Everlight Americas Inc. Please don't reproduce or cause anyone to reproduce them without Everlight Americas's consent.