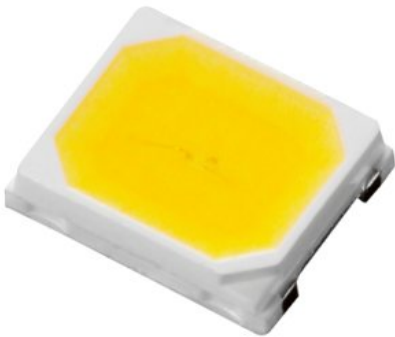


### SMD ▪ PLCC EAHP2835WE0



#### Features

- PLCC-2 package
- Top view white LED
- High luminous intensity output
- Wide viewing angle
- Pb-free
- RoHS compliant
- ANSI Binning

#### Description

The Everlight EAHP2835WE0 package has high efficacy, high CRI, low power consumption, wide viewing angle and a compact form factor. These features make this package an ideal LED for all lighting applications.

#### Applications

- General lighting
- Decorative and Entertainment Lighting
- Indicators
- Illumination
- Switch lights

## Mass Production List

| Product     | CRI<br>Min. (1) | CCT(K) | Φ(lm)<br>Min. (2) | Φ(lm)<br>Max. (2) |
|-------------|-----------------|--------|-------------------|-------------------|
| EAHP2835WE0 | 80              | 2700K  | 55                | 76                |

Notes:

1. Tolerance of Color Rendering Index:  $\pm 2$
2. Tolerance of Luminous flux:  $\pm 11\%$ .

EVERLIGHT

## Device Selection Guide

| Chip Materials | Emitted Color                             | Resin Color |
|----------------|---|-------------|
| InGaN          | Cool White<br>Neutral White<br>Warm White | Water Clear |

## Absolute Maximum Ratings (T<sub>Soldering</sub>=25 )

| Parameter                                       | Symbol              | Rating   | Unit                      |
|---|---------------------|--|---------------------------|
| Forward Current                                 | I <sub>F</sub>      | 180  | mA                        |
| Peak Forward Current (Duty 1/10 @10ms)          | I <sub>FP</sub>     | 300  | mA                        |
| Power Dissipation                               | P <sub>d</sub>      | 630  | mW                        |
| Operating Temperature                           | T <sub>opr</sub>    | -40 ~ +85                                      |                           |
| Storage Temperature                             | T <sub>stg</sub>    | -40 ~ +100                                     |                           |
| Thermal Resistance (Junction / Soldering point) | R <sub>th J-S</sub> | 21   | /W                        |
| Junction Temperature                            | T <sub>j</sub>      | 115  |                           |
| Soldering Temperature                           | T <sub>sol</sub>    | Reflow Soldering : 260<br>Hand Soldering : 350 | for 10 sec.<br>for 3 sec. |

Note:

The products are sensitive to static electricity and must be carefully taken when handling products

## Electro-Optical Characteristics (T<sub>Soldering</sub>=25 )

| Parameter                            | Symbol            | Min.  | Typ.  | Max.  | Unit | Condition             |
|--------------------------------------|-------------------|-------|-------|-------|------|-----------------------|
| Luminous Flux <sub>(1)</sub>         | Φ                 | 55    | ----- | 76    | lm   | I <sub>F</sub> =150mA |
| Forward Voltage <sub>(2)</sub>       | V <sub>F</sub>    | 2.8   | ----- | 3.4   | V    | I <sub>F</sub> =150mA |
| Color Rendering Index <sub>(3)</sub> | R <sub>a</sub>    | 80    | ----- | ----- |      | I <sub>F</sub> =150mA |
| Viewing Angle                        | 2θ <sub>1/2</sub> | ----- | 120   | ----- | deg  | I <sub>F</sub> =150mA |
| Reverse Current                      | I <sub>R</sub>    | ----- | ----- | 50    | μA   | V <sub>R</sub> =5V    |

Notes:

1. Tolerance of Luminous flux: ±11%.
2. Tolerance of Forward Voltage: ±0.1V.
3. Tolerance of Color Rendering Index: ±2

### Bin Range of Luminous Flux

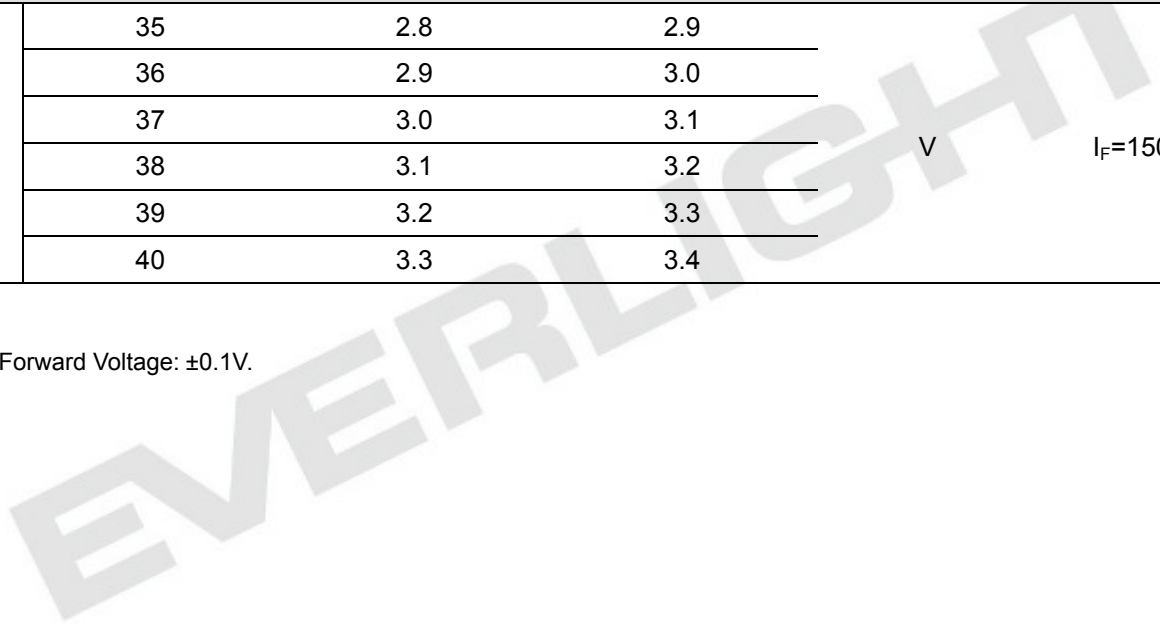
| Bin Code | Min. | Max. | Unit | Condition             |
|----------|------|------|------|-----------------------|
| R2       | 55   | 60   | lm   | I <sub>F</sub> =150mA |
| R3       | 60   | 65   |      |                       |
| R4       | 65   | 70   |      |                       |
| R5       | 70   | 76   |      |                       |
| R6       | 76   | 83   |      |                       |
| R7       | 83   | 90   |      |                       |

Note:  
Tolerance of Luminous flux: ±11%.

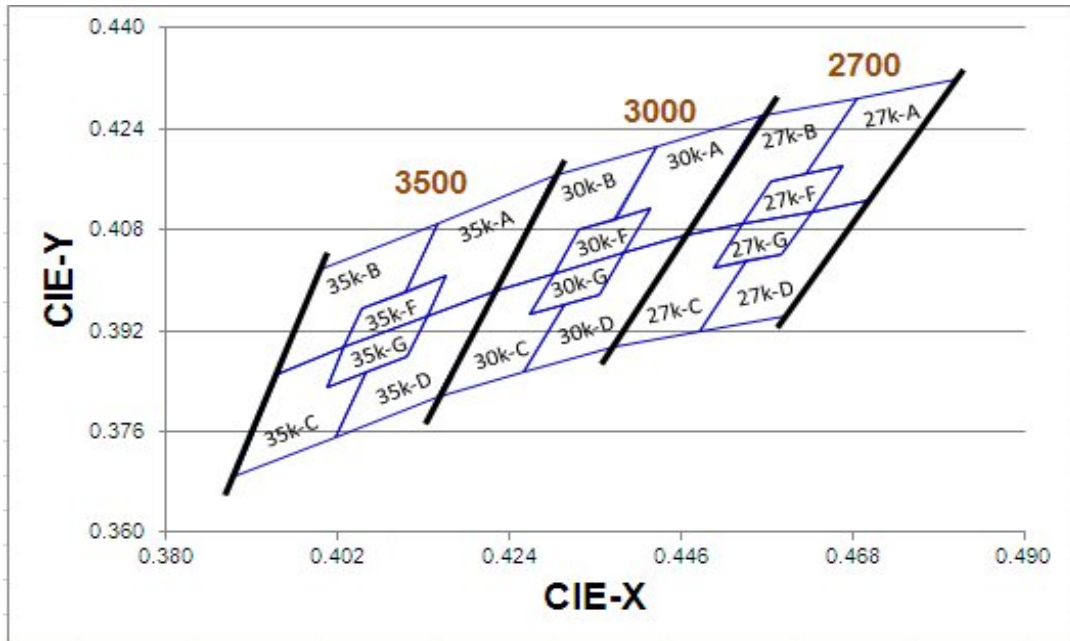
### Bin Range of Forward Voltage

| Group | Bin Code | Min. | Max. | Unit | Condition             |
|-------|----------|------|------|------|-----------------------|
| 2834  | 35       | 2.8  | 2.9  | V    | I <sub>F</sub> =150mA |
|       | 36       | 2.9  | 3.0  |      |                       |
|       | 37       | 3.0  | 3.1  |      |                       |
|       | 38       | 3.1  | 3.2  |      |                       |
|       | 39       | 3.2  | 3.3  |      |                       |
|       | 40       | 3.3  | 3.4  |      |                       |

Note:  
Tolerance of Forward Voltage: ±0.1V.



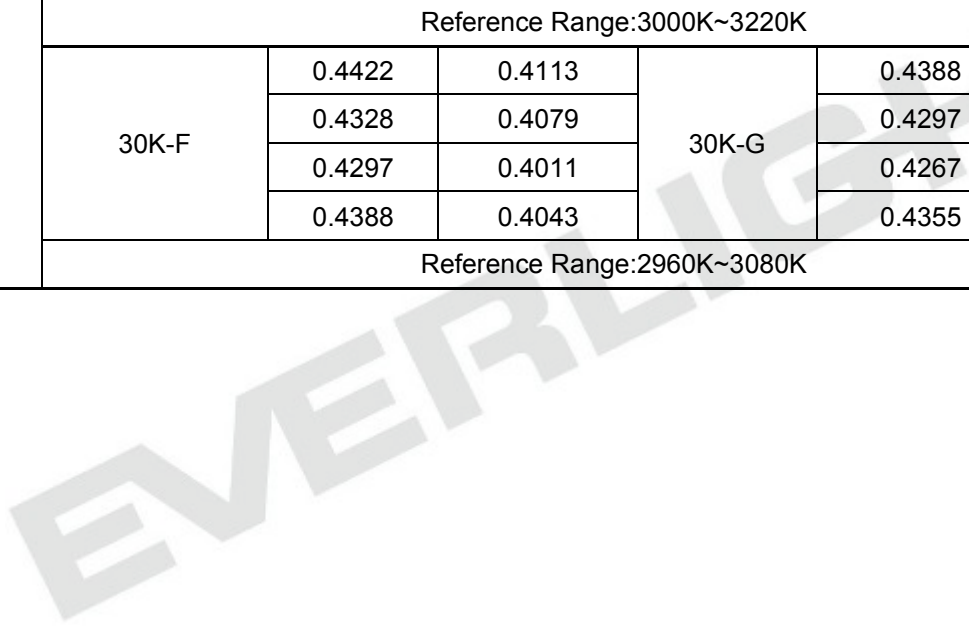
The C.I.E. 1931 Chromaticity Diagram



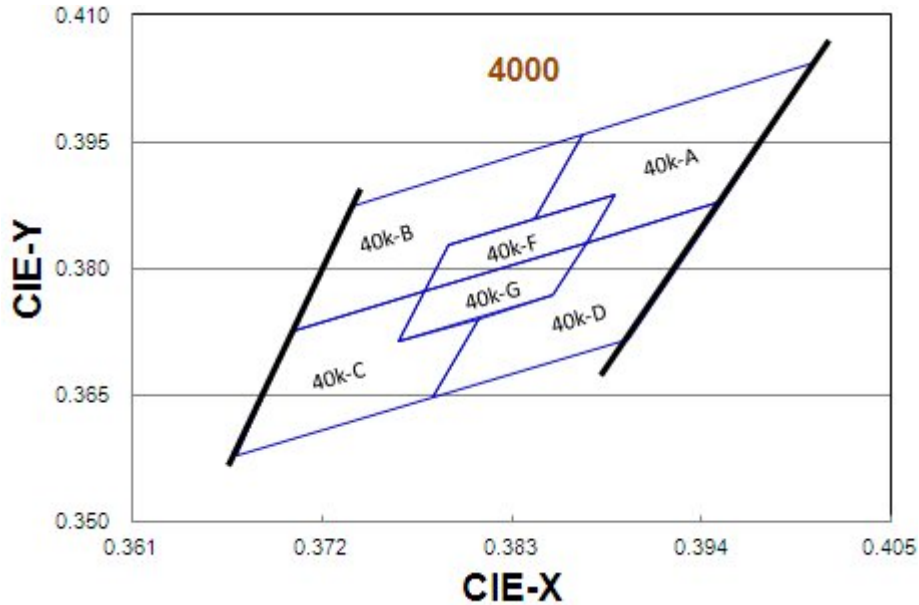
Bin Range of Chromaticity Coordinates

| CCT                          | Bin Code                    | CIE_x  | CIE_y  | Bin Code | CIE_x  | CIE_y  |        |
|------------------------------|-----------------------------|--------|--------|----------|--------|--------|--------|
| 2700K                        | 27K-A                       | 0.4813 | 0.4319 | 27K-D    | 0.4700 | 0.4126 |        |
|                              |                             | 0.4687 | 0.4289 |          | 0.4627 | 0.4109 |        |
|                              |                             | 0.4621 | 0.4169 |          | 0.4588 | 0.4041 |        |
|                              |                             | 0.4667 | 0.4180 |          | 0.4544 | 0.4030 |        |
|                              |                             | 0.4627 | 0.4109 |          | 0.4483 | 0.3919 |        |
|                              |                             | 0.4700 | 0.4126 |          | 0.4593 | 0.3944 |        |
|                              | Reference Range:2580K~2700K |        |        |          |        |        |        |
|                              | 2700K                       | 27K-B  | 0.4687 | 0.4289   | 27K-C  | 0.4465 | 0.4071 |
|                              |                             |        | 0.4562 | 0.4260   |        | 0.4373 | 0.3893 |
|                              |                             |        | 0.4465 | 0.4071   |        | 0.4483 | 0.3919 |
|                              |                             |        | 0.4539 | 0.4088   |        | 0.4544 | 0.4030 |
|                              |                             |        | 0.4576 | 0.4158   |        | 0.4502 | 0.4020 |
| 0.4621                       |                             |        | 0.4169 | 0.4539   |        | 0.4088 |        |
| Reference Range:2700K~2870K  |                             |        |        |          |        |        |        |
| 2700K                        | 27K-F                       | 0.4667 | 0.4180 | 27K-G    | 0.4627 | 0.4109 |        |
|                              |                             | 0.4576 | 0.4158 |          | 0.4539 | 0.4088 |        |
|                              |                             | 0.4539 | 0.4088 |          | 0.4502 | 0.4020 |        |
|                              |                             | 0.4627 | 0.4109 |          | 0.4588 | 0.4041 |        |
| Reference Range: 2665K~2770K |                             |        |        |          |        |        |        |

| CCT   | Bin Code                    | CIE_x  | CIE_y  | Bin Code | CIE_x  | CIE_y  |  |
|-------|-----------------------------|--------|--------|----------|--------|--------|--|
| 3000K | 30K-A                       | 0.4562 | 0.4260 | 30K-D    | 0.4465 | 0.4071 |  |
|       |                             | 0.4430 | 0.4212 |          | 0.4388 | 0.4043 |  |
|       |                             | 0.4375 | 0.4096 |          | 0.4355 | 0.3977 |  |
|       |                             | 0.4422 | 0.4113 |          | 0.4311 | 0.3962 |  |
|       |                             | 0.4388 | 0.4043 |          | 0.4259 | 0.3853 |  |
|       |                             | 0.4465 | 0.4071 |          | 0.4373 | 0.3893 |  |
|       | Reference Range:2870K~3000K |        |        |          |        |        |  |
|       | 30K-B                       | 0.4430 | 0.4212 | 30K-C    | 0.4221 | 0.3984 |  |
|       |                             | 0.4299 | 0.4165 |          | 0.4147 | 0.3814 |  |
|       |                             | 0.4221 | 0.3984 |          | 0.4259 | 0.3853 |  |
|       |                             | 0.4297 | 0.4011 |          | 0.4311 | 0.3962 |  |
|       |                             | 0.4328 | 0.4079 |          | 0.4267 | 0.3946 |  |
|       |                             | 0.4375 | 0.4096 |          | 0.4297 | 0.4011 |  |
|       | Reference Range:3000K~3220K |        |        |          |        |        |  |
|       | 30K-F                       | 0.4422 | 0.4113 | 30K-G    | 0.4388 | 0.4043 |  |
|       |                             | 0.4328 | 0.4079 |          | 0.4297 | 0.4011 |  |
|       |                             | 0.4297 | 0.4011 |          | 0.4267 | 0.3946 |  |
|       |                             | 0.4388 | 0.4043 |          | 0.4355 | 0.3977 |  |
|       | Reference Range:2960K~3080K |        |        |          |        |        |  |



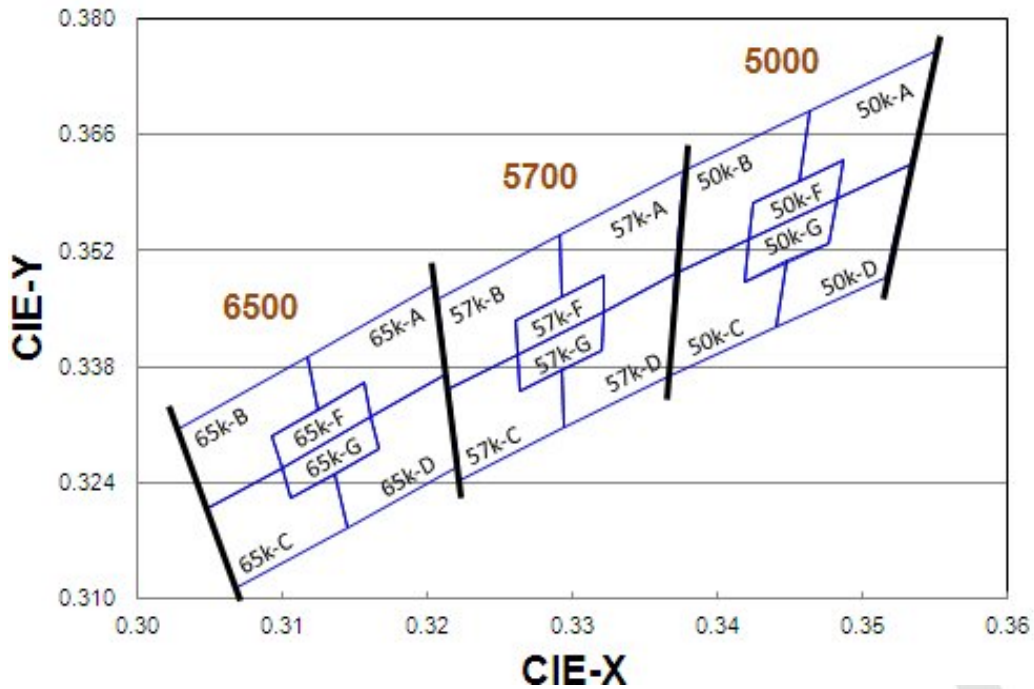
### The C.I.E. 1931 Chromaticity Diagram



### Bin Range of Chromaticity Coordinates

| CCT   | Bin Code                    | CIE_x  | CIE_y  | Bin Code | CIE_x  | CIE_y  |  |
|-------|-----------------------------|--------|--------|----------|--------|--------|--|
| 4000K | 40K-A                       | 0.4006 | 0.4044 | 40K-D    | 0.3952 | 0.3880 |  |
|       |                             | 0.3871 | 0.3959 |          | 0.3873 | 0.3831 |  |
|       |                             | 0.3843 | 0.3858 |          | 0.3854 | 0.3768 |  |
|       |                             | 0.3890 | 0.3887 |          | 0.3810 | 0.3741 |  |
|       |                             | 0.3873 | 0.3831 |          | 0.3784 | 0.3647 |  |
|       |                             | 0.3952 | 0.3880 |          | 0.3898 | 0.3716 |  |
|       | Reference Range:3700K~3970K |        |        |          |        |        |  |
|       | 40K-B                       | 0.3871 | 0.3959 | 40K-C    | 0.3703 | 0.3726 |  |
|       |                             | 0.3736 | 0.3874 |          | 0.3670 | 0.3578 |  |
|       |                             | 0.3703 | 0.3726 |          | 0.3784 | 0.3647 |  |
|       |                             | 0.3779 | 0.3773 |          | 0.3810 | 0.3741 |  |
|       |                             | 0.3793 | 0.3828 |          | 0.3764 | 0.3713 |  |
|       |                             | 0.3843 | 0.3858 |          | 0.3779 | 0.3773 |  |
|       | Reference Range:3970K~4270K |        |        |          |        |        |  |
|       | 40K-F                       | 0.3890 | 0.3887 | 40K-G    | 0.3873 | 0.3831 |  |
|       |                             | 0.3793 | 0.3828 |          | 0.3779 | 0.3773 |  |
|       |                             | 0.3779 | 0.3773 |          | 0.3764 | 0.3713 |  |
|       |                             | 0.3873 | 0.3831 |          | 0.3854 | 0.3768 |  |
|       | Reference Range:3870K~4080K |        |        |          |        |        |  |

The C.I.E. 1931 Chromaticity Diagram



Bin Range of Chromaticity Coordinates

| CCT                         | Bin Code                    | CIE_x  | CIE_y  | Bin Code | CIE_x  | CIE_y  |  |
|-----------------------------|-----------------------------|--------|--------|----------|--------|--------|--|
| 5000K                       | 50K-A                       | 0.3551 | 0.3760 | 50K-D    | 0.3533 | 0.3624 |  |
|                             |                             | 0.3464 | 0.3688 |          | 0.3482 | 0.3583 |  |
|                             |                             | 0.3456 | 0.3604 |          | 0.3477 | 0.3530 |  |
|                             |                             | 0.3487 | 0.3629 |          | 0.3448 | 0.3507 |  |
|                             |                             | 0.3482 | 0.3583 |          | 0.3441 | 0.3428 |  |
|                             |                             | 0.3533 | 0.3624 |          | 0.3515 | 0.3487 |  |
|                             | Reference Range:4745K~5000K |        |        |          |        |        |  |
|                             | 50K-B                       | 0.3464 | 0.3688 | 50K-C    | 0.3371 | 0.3493 |  |
|                             |                             | 0.3376 | 0.3616 |          | 0.3366 | 0.3369 |  |
|                             |                             | 0.3371 | 0.3493 |          | 0.3441 | 0.3428 |  |
|                             |                             | 0.3422 | 0.3533 |          | 0.3448 | 0.3507 |  |
|                             |                             | 0.3425 | 0.3579 |          | 0.3418 | 0.3483 |  |
|                             |                             | 0.3456 | 0.3604 |          | 0.3422 | 0.3533 |  |
|                             | Reference Range:5000K~5310K |        |        |          |        |        |  |
|                             | 50K-F                       | 0.3487 | 0.3629 | 50K-G    | 0.3482 | 0.3583 |  |
|                             |                             | 0.3425 | 0.3579 |          | 0.3422 | 0.3533 |  |
|                             |                             | 0.3422 | 0.3533 |          | 0.3418 | 0.3483 |  |
|                             |                             | 0.3482 | 0.3583 |          | 0.3477 | 0.3530 |  |
| Reference Range:4910K~5120K |                             |        |        |          |        |        |  |



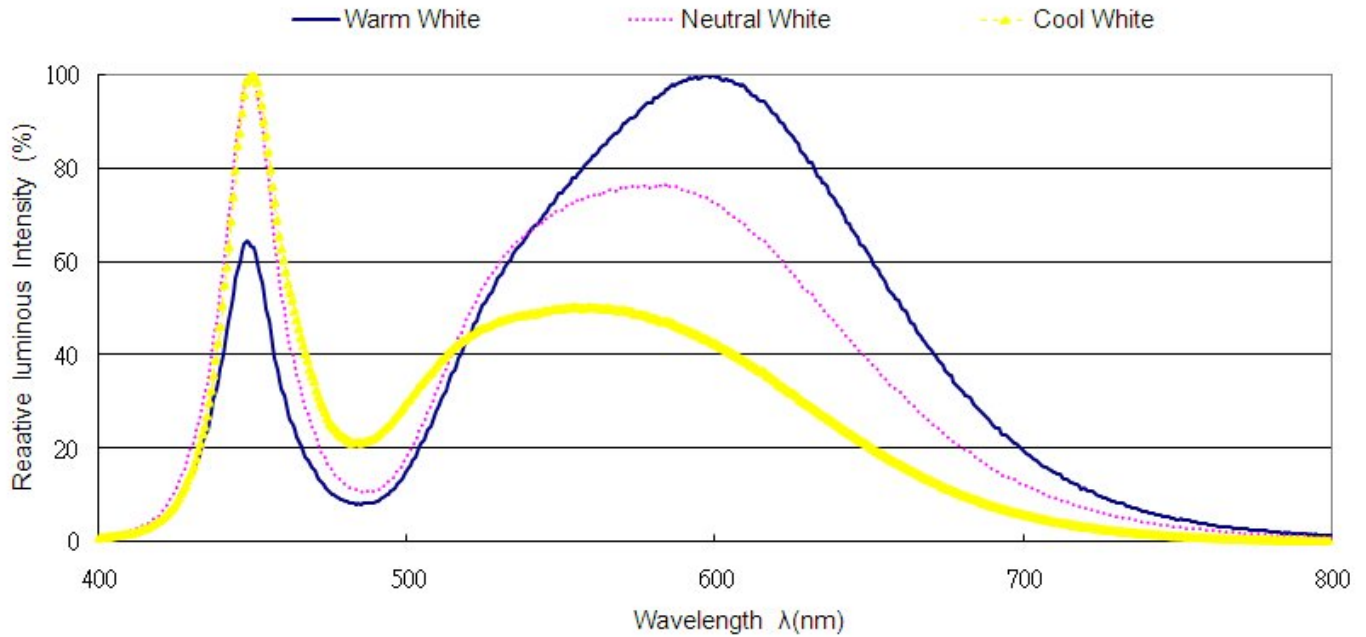
| CCT   | Bin Code                    | CIE_x  | CIE_y  | Bin Code | CIE_x  | CIE_y  |  |
|-------|-----------------------------|--------|--------|----------|--------|--------|--|
| 5700K | 57K-A                       | 0.3376 | 0.3616 | 57K-D    | 0.3371 | 0.3493 |  |
|       |                             | 0.3292 | 0.3539 |          | 0.3321 | 0.3447 |  |
|       |                             | 0.3292 | 0.3464 |          | 0.3320 | 0.3401 |  |
|       |                             | 0.3321 | 0.3490 |          | 0.3293 | 0.3377 |  |
|       |                             | 0.3321 | 0.3447 |          | 0.3294 | 0.3306 |  |
|       |                             | 0.3371 | 0.3493 |          | 0.3366 | 0.3369 |  |
|       | Reference Range:5310K~5700K |        |        |          |        |        |  |
|       | 57K-B                       | 0.3292 | 0.3539 | 57K-C    | 0.3215 | 0.3353 |  |
|       |                             | 0.3207 | 0.3462 |          | 0.3222 | 0.3243 |  |
|       |                             | 0.3215 | 0.3353 |          | 0.3294 | 0.3306 |  |
|       |                             | 0.3262 | 0.3395 |          | 0.3293 | 0.3377 |  |
|       |                             | 0.3261 | 0.3436 |          | 0.3263 | 0.335  |  |
|       |                             | 0.3292 | 0.3464 |          | 0.3262 | 0.3395 |  |
|       | Reference Range:5700K~6020K |        |        |          |        |        |  |
|       | 57K-F                       | 0.3321 | 0.3490 | 57K-G    | 0.3321 | 0.3447 |  |
|       |                             | 0.3261 | 0.3436 |          | 0.3262 | 0.3395 |  |
|       |                             | 0.3262 | 0.3395 |          | 0.3263 | 0.3350 |  |
|       |                             | 0.3321 | 0.3447 |          | 0.3320 | 0.3401 |  |
|       | Reference Range:5520K~5780K |        |        |          |        |        |  |

| CCT   | Bin Code                    | CIE_x  | CIE_y  | Bin Code | CIE_x  | CIE_y  |  |
|-------|-----------------------------|--------|--------|----------|--------|--------|--|
| 6500K | 65K-A                       | 0.3205 | 0.3481 | 65K-D    | 0.3213 | 0.3371 |  |
|       |                             | 0.3117 | 0.3393 |          | 0.3161 | 0.3320 |  |
|       |                             | 0.3125 | 0.3328 |          | 0.3166 | 0.3281 |  |
|       |                             | 0.3157 | 0.3360 |          | 0.3136 | 0.3251 |  |
|       |                             | 0.3161 | 0.3320 |          | 0.3145 | 0.3187 |  |
|       |                             | 0.3213 | 0.3371 |          | 0.3221 | 0.3261 |  |
|       | Reference Range:6020K~6500K |        |        |          |        |        |  |
|       | 65K-B                       | 0.3117 | 0.3393 | 65K-C    | 0.3048 | 0.3209 |  |
|       |                             | 0.3028 | 0.3304 |          | 0.3068 | 0.3113 |  |
|       |                             | 0.3048 | 0.3209 |          | 0.3145 | 0.3187 |  |
|       |                             | 0.3100 | 0.3259 |          | 0.3136 | 0.3251 |  |
|       |                             | 0.3093 | 0.3297 |          | 0.3106 | 0.3222 |  |
|       |                             | 0.3125 | 0.3328 |          | 0.31   | 0.3259 |  |
|       | Reference Range:6500K~7050K |        |        |          |        |        |  |
|       | 65K-F                       | 0.3157 | 0.3360 | 65K-G    | 0.3161 | 0.3320 |  |
|       |                             | 0.3093 | 0.3297 |          | 0.3100 | 0.3259 |  |
|       |                             | 0.3100 | 0.3259 |          | 0.3106 | 0.3222 |  |
|       |                             | 0.3161 | 0.3320 |          | 0.3166 | 0.3281 |  |
|       | Reference Range:6300K~6690K |        |        |          |        |        |  |

Notes:

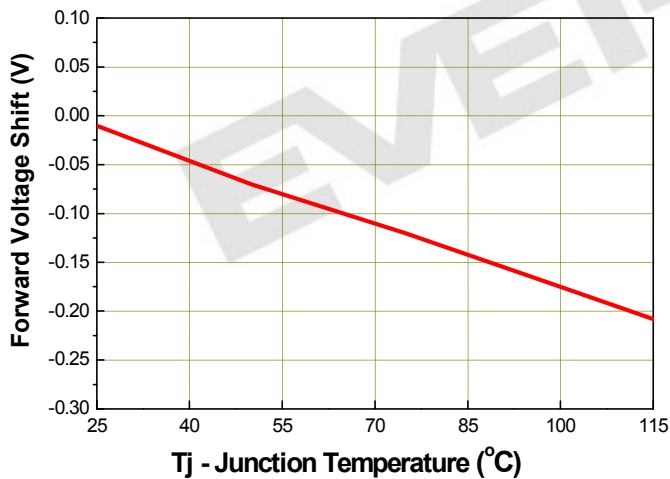
1. The value is based on driving current by 150mA.
2. Tolerance of Chromaticity Coordinates:  $\pm 0.01$ .

## Spectrum Distribution

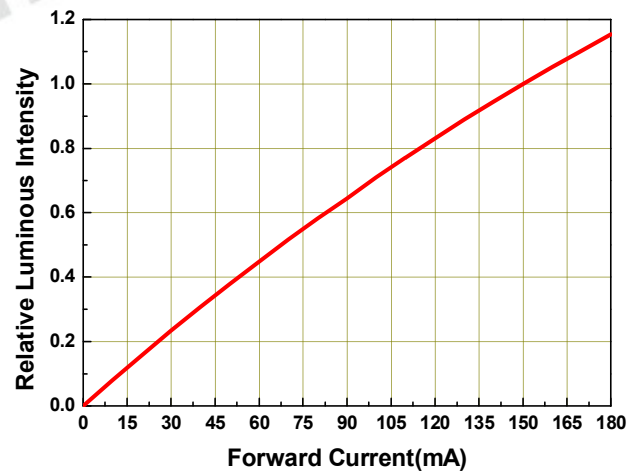


## Typical Electro-Optical Characteristics Curves

**Fig.1 – Forward Voltage Shift vs. Junction Temperature**



**Fig.2 - Relative Luminous Intensity vs. Forward Current**



Typical Electro-Optical Characteristics Curves

Fig.3 - Relative Luminous Intensity vs. Junction Temperature

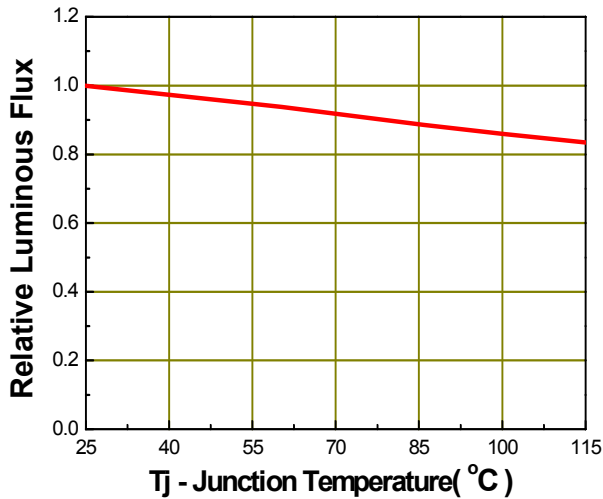


Fig.4 - Forward Current vs. Forward Voltage

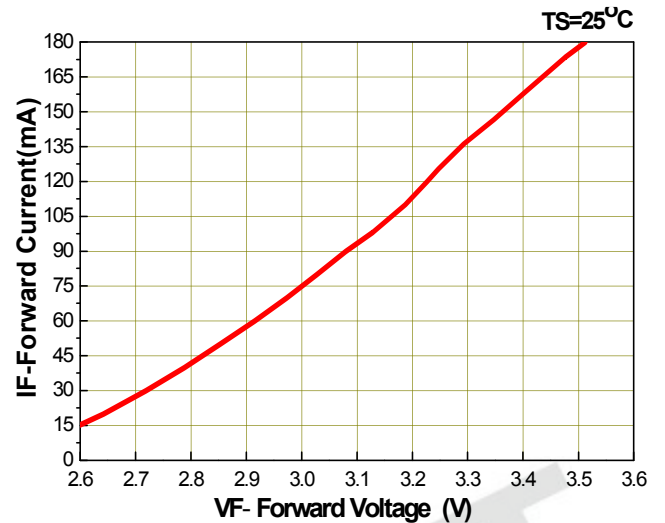


Fig.5 – Max. Driving Forward Current vs. Soldering Temperature  
Rth j-s=21° C/W

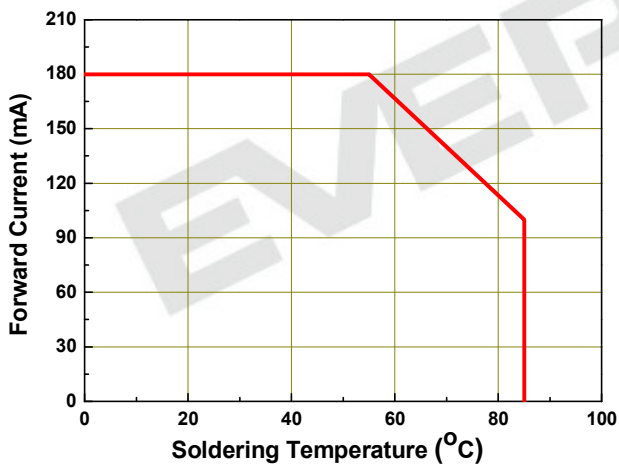
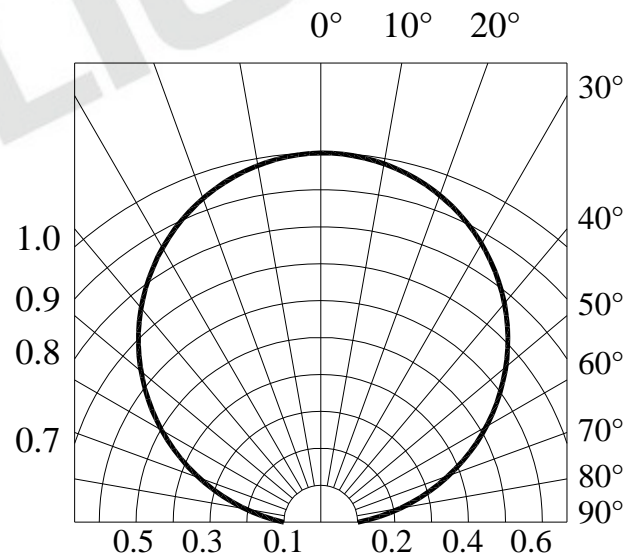
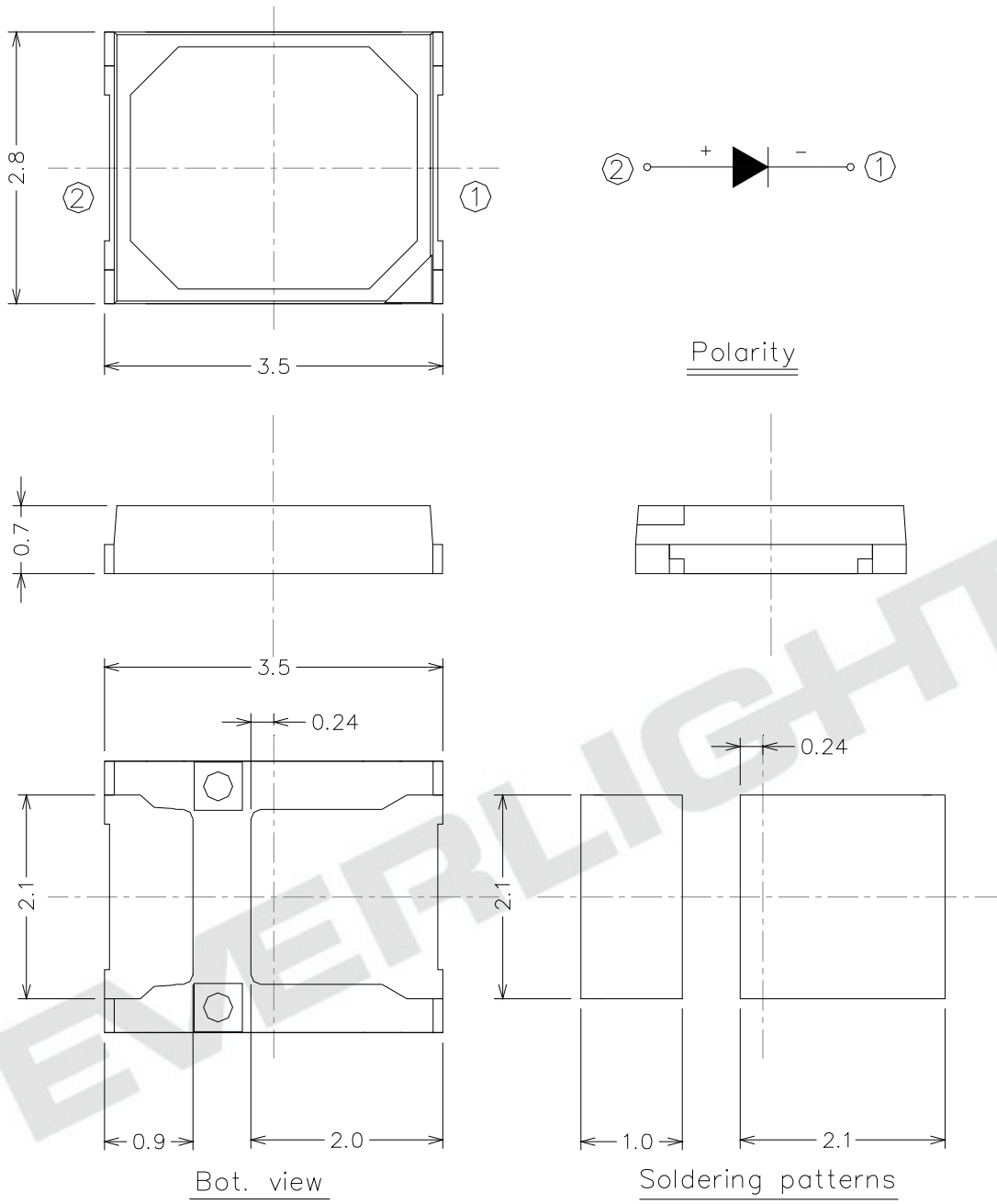


Fig.6 – Radiation Diagram



### Package Dimension



Note:  
Tolerance unless mentioned is  $\pm 0.15$  mm; Unit = mm

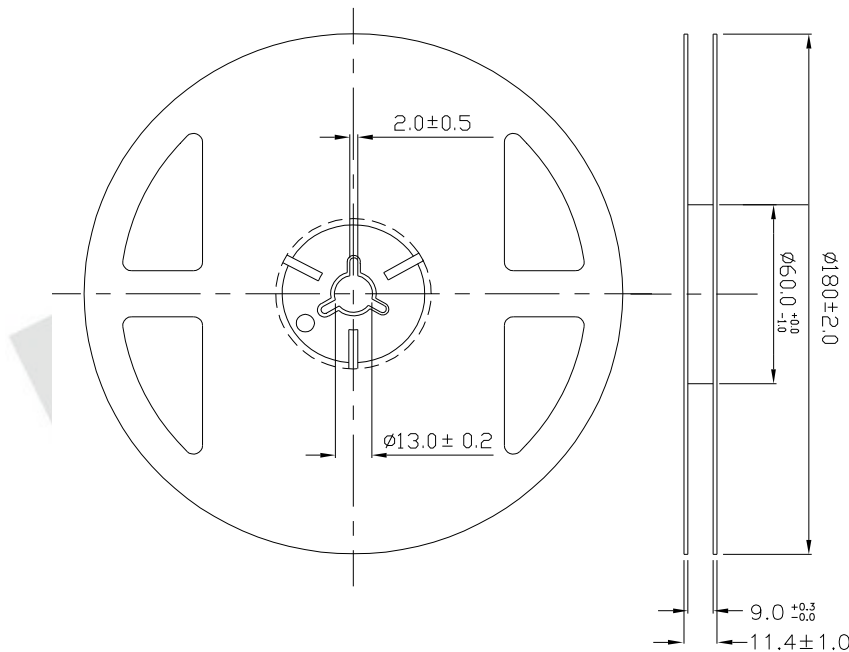
## Moisture Resistant Packing Materials

### Label Explanation



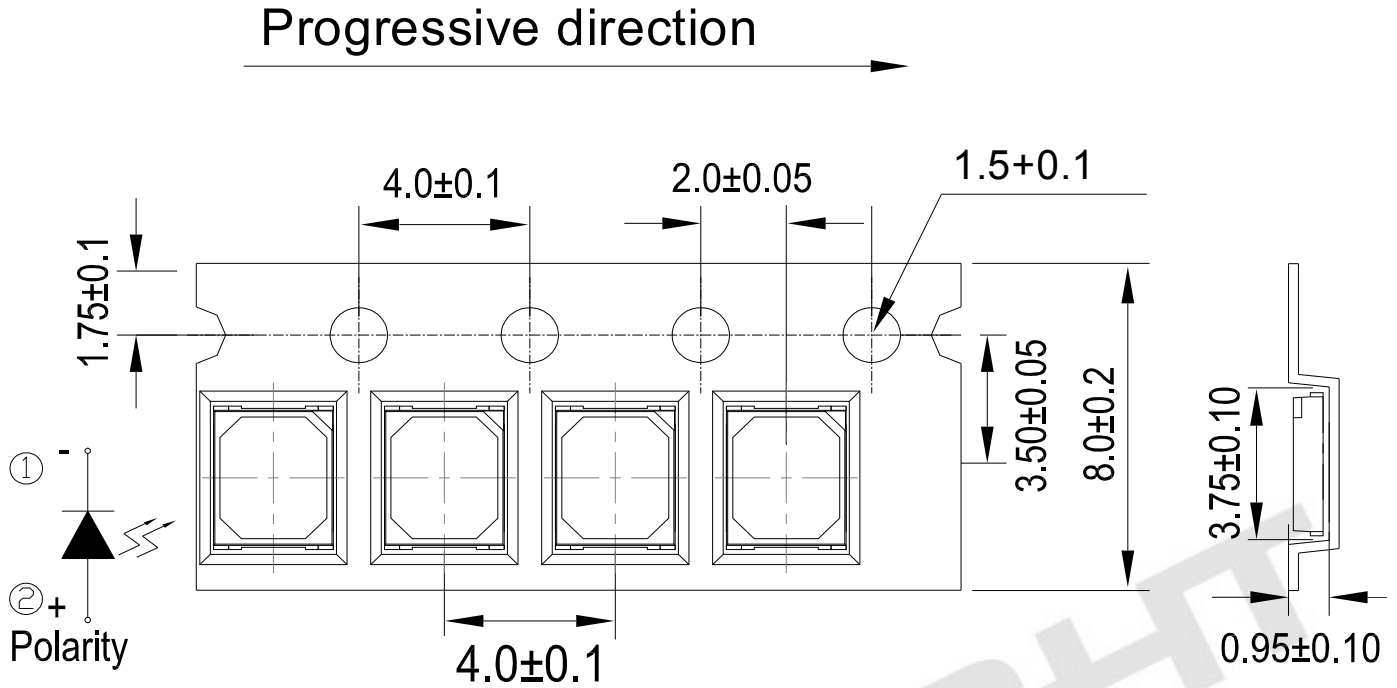
- CPN: Customer's Product Number
- P/N: Product Number
- QTY: Packing Quantity
- CAT: Luminous Intensity Rank
- HUE: Dom. Wavelength Rank
- REF: Forward Voltage Rank
- LOT No: Lot Number

### Reel Dimensions



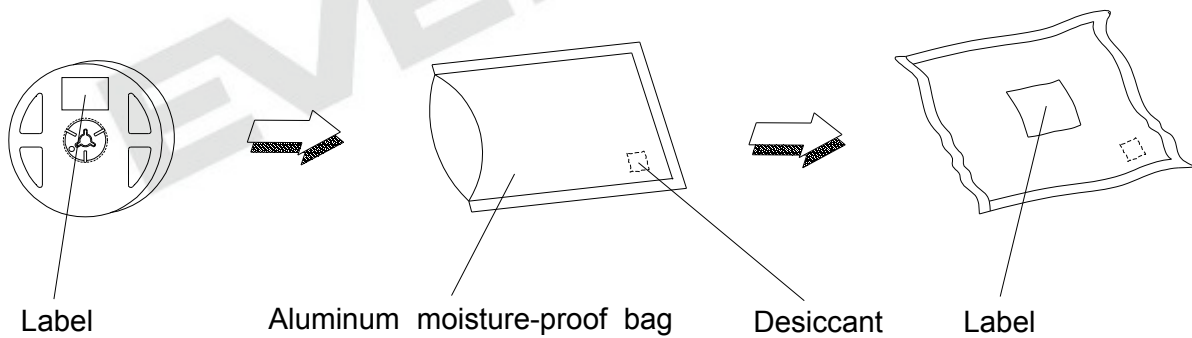
Note:  
Tolerances unless mentioned  $\pm 0.1$ mm. Unit = mm

**Carrier Tape Dimensions: Loaded Quantity 2000 pcs Per Reel**



Note:  
1. Tolerance unless mentioned is  $\pm 0.1\text{mm}$ ; Unit = mm

**Moisture Resistant Packing Process**



## Reliability Test Items and Conditions

The reliability of products shall be satisfied with items listed below.  
Confidence level : 90%  
LTPD : 10%

| No. | Items                                  | Test Condition                            | Test Hours/Cycles | Sample Size | Ac/Re |
|-----|--|---|-------------------|-------------|-------|
| 1   | Reflow Soldering                       | Temp. : 260 /10sec.                       | 6 Min.            | 22 PCS.     | 0/1   |
| 2   | Thermal Shock                          | H : +100 20min<br>10 sec<br>L : -10 20min | 200 Cycles        | 22 PCS.     | 0/1   |
| 3   | Temperature Cycle                      | H : +100 30min<br>5 min<br>L : -40 30min  | 200 Cycles        | 22 PCS.     | 0/1   |
| 4   | High Temperature/Humidity Reverse Bias | Ta=85 ,85%RH                              | 1000 Hrs.         | 22 PCS.     | 0/1   |
| 5   | High Temperature/Humidity Operation    | Ta=85 ,85%RH,<br>I <sub>F</sub> = 100 mA  | 1000 Hrs.         | 22 PCS.     | 0/1   |
| 6   | Low Temperature Storage                | Ta=-40                                    | 1000 Hrs.         | 22 PCS.     | 0/1   |
| 7   | High Temperature Storage               | Ta=85                                     | 1000 Hrs.         | 22 PCS.     | 0/1   |
| 8   | Low Temperature Operation Life         | Ta=-40 ,<br>I <sub>F</sub> = 180 mA       | 1000 Hrs.         | 22 PCS.     | 0/1   |
| 9   | High Temperature Operation/ Life#1     | Ta=25 ,<br>I <sub>F</sub> = 180 mA        | 1000 Hrs.         | 22 PCS.     | 0/1   |
| 10  | High Temperature Operation/ Life#2     | Ta=55 ,<br>I <sub>F</sub> =180 mA         | 1000 Hrs.         | 22 PCS.     | 0/1   |
| 11  | High Temperature Operation/ Life#3     | Ta=85 ,<br>I <sub>F</sub> = 100 mA        | 1000 Hrs.         | 22 PCS.     | 0/1   |

## Precautions for Use

### 1. Over-current-proof

Customer must apply resistors for protection; otherwise slight voltage shift will cause big current change (Burn out will happen).

### 2. Storage

2.1 Do not open moisture proof bag before the products are ready to use.

2.2 Before opening the package: The LEDs should be kept at 30 °C or less and 90%RH or less.

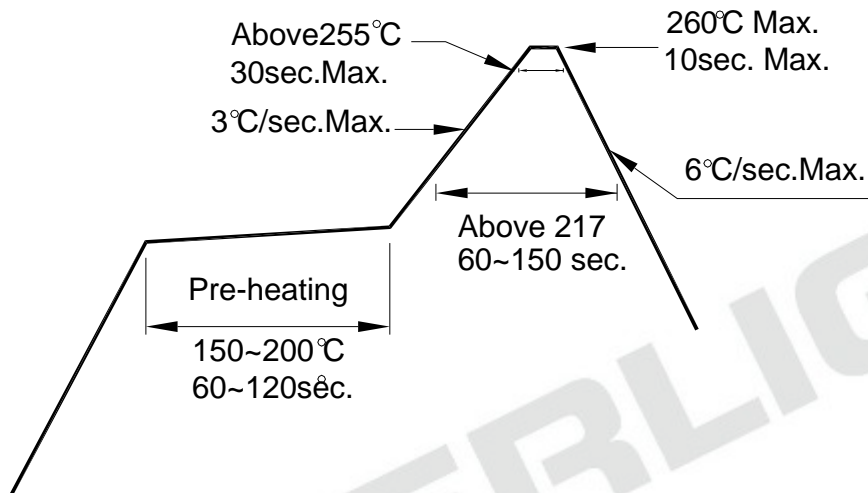
2.3 After opening the package: The LED's floor life is 168 Hrs under 30 °C or less and 60% RH or less. If unused LEDs remain, it should be stored in moisture proof packages.

2.4 If the moisture absorbent material (silica gel) has faded away or the LEDs have exceeded the storage time, baking treatment should be performed using the following conditions.

Baking treatment: 60±5 °C for 24 hours.

### 3. Soldering Condition

#### 3.1 Pb-free solder temperature profile



3.2 Reflow soldering should not be done more than two times.

3.3 When soldering, do not put stress on the LEDs during heating.

3.4 After soldering, do not warp the circuit board.



#### 4. Soldering Iron

Each terminal is to go to the tip of soldering iron temperature less than 350 for 3 seconds within once in less than the soldering iron capacity 25W. Leave two seconds and more intervals, and do soldering of each terminal. Be careful because the damage of the product is often started at the time of the hand solder.

#### 5. Repairing

Repair should not be done after the LEDs have been soldered. When repairing is unavoidable, a double-head soldering iron should be used (as below figure). It should be confirmed beforehand whether the characteristics of the LEDs will or will not be damaged by repairing.

