

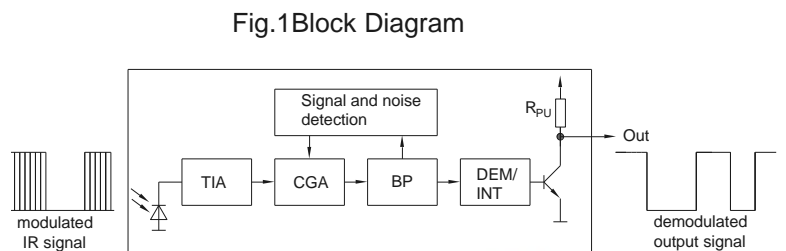
### Infrared Receiver Module EAIRMLA2



1 2 3

#### Pin Configuration

1. OUT
2. Vcc
3. GND



#### Features

- Available for various carrier frequencies
- Low operating voltage and low power consumption
- High immunity against ambient light
- High immunity against TFT backlight
- Long reception range
- High sensitivity
- Pb free
- The product itself will remain within RoHS compliant version.
- Compliance with EU REACH
- Compliance Halogen Free (Br < 900 ppm, Cl < 900 ppm, Br+Cl < 1500 ppm)

#### Description

The EAIRMLA2 devices are SMD type infrared receivers which have been developed and designed by using the latest IC technology, providing compatibility to most common IR protocols. The PIN diode and preamplifier are assembled onto a lead frame and molded into a black epoxy package which operates as an IR filter. The demodulated output signal can directly be decoded by a microprocessor.

#### Applications

- AV equipment such as TV, VCR, DVD, CD, MD, etc.
- CATV set top boxes
- Multi-media Equipment
- Other devices using IR remote control

## Parts Number Table

Model No.	Carrier Frequency
EAIRMLA2	38 kHz

## Absolute Maximum Ratings (Ta=25°C) (note1)

Parameter	Symbol	Rating	Unit
Supply Voltage	V <sub>CC</sub>	0 ~ 6	V
Output current	I <sub>OUT</sub>	0 ~ 5	mA
Operating Temperature	T <sub>opr</sub>	-20 ~ +80	°C
Storage Temperature	T <sub>stg</sub>	-40 ~ +85	°C
Soldering Temperature (note2)	T <sub>sol</sub>	260	°C
ESD	ESD <sub>HBM</sub>	2000	V
	ESD <sub>MM</sub>	200	V

## Electro-Optical Characteristics (Ta=25°C, V<sub>CC</sub>=5.0V)

Parameter	Symbol	Min.	Typ.	Max.	Unit	Condition
Current consumption	I <sub>CC</sub>	0.10	0.27	0.60	mA	No input signal
Supply voltage	V <sub>CC</sub>	2.7	---	5.5	V	
Peak wavelength	λ <sub>p</sub>	---	940	---	nm	
High level output voltage	V <sub>OH</sub>	V <sub>CC</sub> -0.4	V <sub>CC</sub>	---	V	I <sub>SOURCE</sub> ≤ 1μA
Low level output voltage	V <sub>OL</sub>	---	---	0.4	V	I <sub>SINK</sub> ≤ 2mA
Internal pull up resistor	R <sub>PU</sub>	---	45	---	kΩ	
Reception range	L <sub>0</sub>	8	14	---	m	See chapter test method, Output pulse width: 400us<T <sub>L</sub> <800us 400us<T <sub>H</sub> <800us
	L <sub>45</sub>	5	7	---		
Min reception distance	L <sub>0min</sub>	---	---	0.1		
Half angle(horizontal)	φ <sub>h</sub>	---	±45	---	deg	
Half angle(vertical)	φ <sub>v</sub>	---	±45	---	deg	
High level pulse width	T <sub>H</sub>	400	---	800	μs	See chapter test method,
Low level pulse width	T <sub>L</sub>	400	---	800	μs	

Note1: Absolute Maximum Ratings indicate limits beyond which damage to the device may occur.  
Note2: Soldering time ≤ 5 seconds

## Test method

The specified electro-optical characteristics are valid under the following conditions.

1. Measurement environment must be a place without extreme reflections
2. Transmitter radiant intensity  $I_e = 80\text{mW/sr}$
3. External lighting contains LED lighting with a color temperature of 6000K and illumination at the IR receiver is less than 100lux ( $E_v \leq 100\text{Lux}$ )
4. Test signal as shown below in figure 3

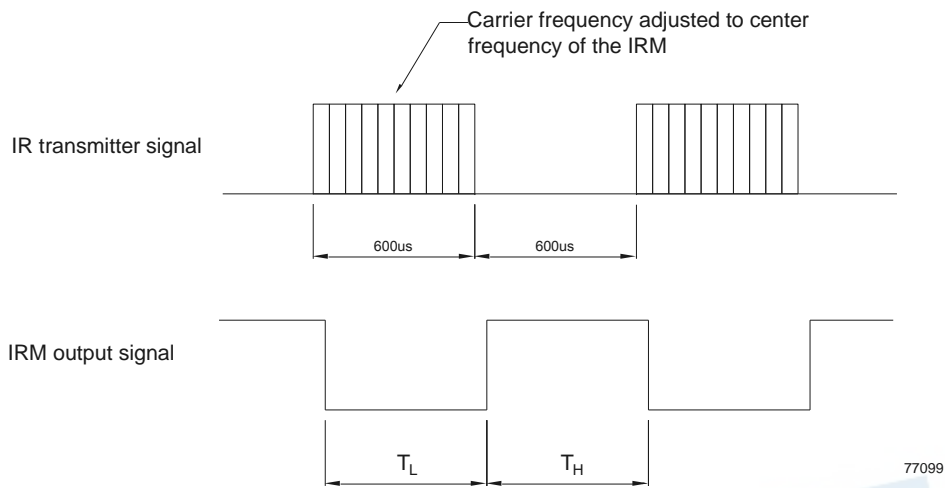


Fig.2 test signal and IRM output signal for reception distance and viewing angle test

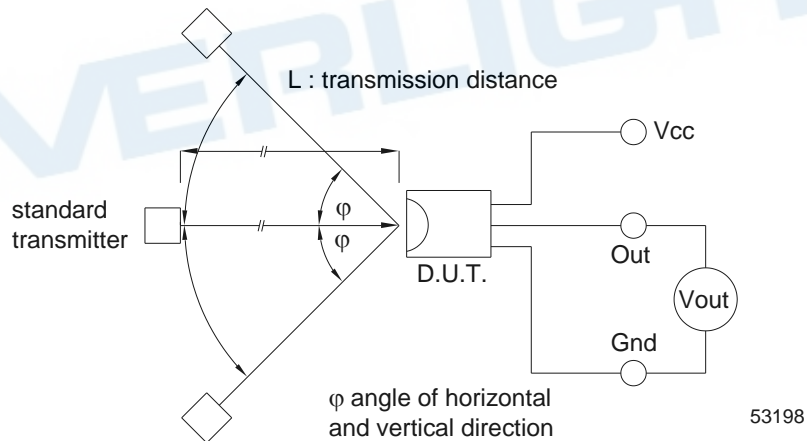


Fig.3 Measuring System

Typical Electro-Optical Characteristics Curves

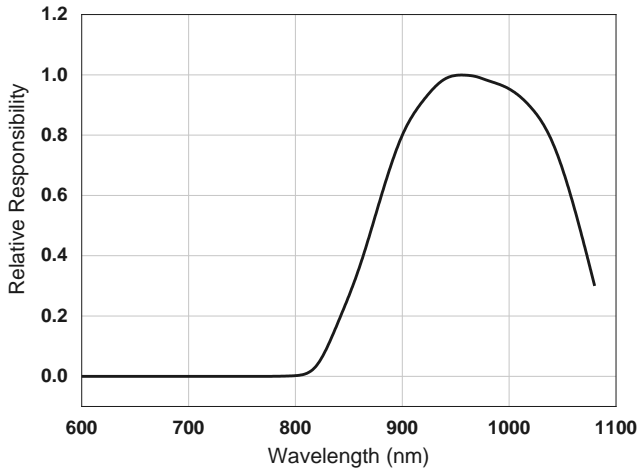


Fig. 4 Relative Responsibility vs. Wavelength

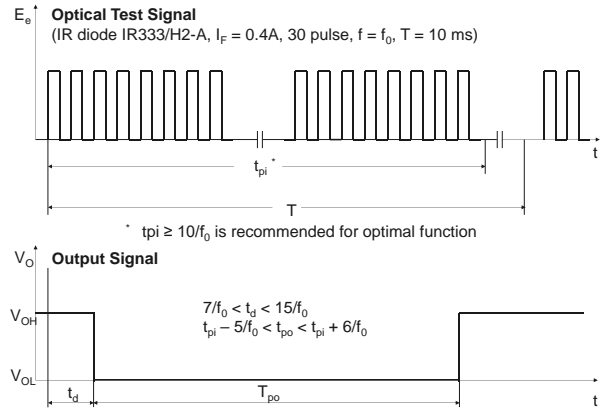


Fig. 5 IR Signal vs. Output Signal

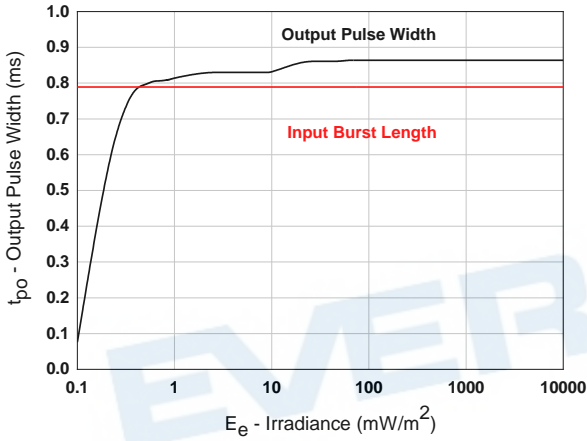


Fig. 6 Output Pulse Width and Sensitivity in Dark Ambient

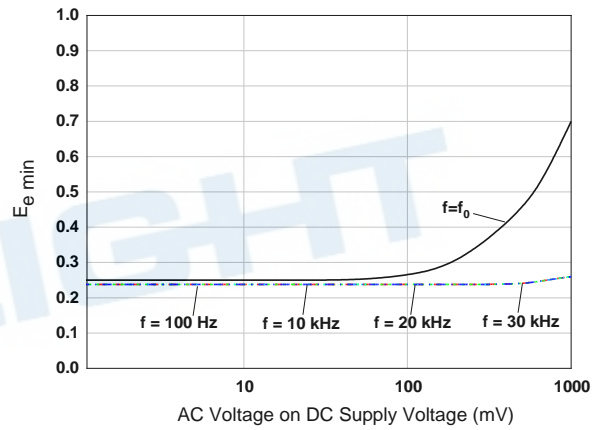


Fig. 7  $E_{e \min}$ . vs. Supply Voltage Disturbances

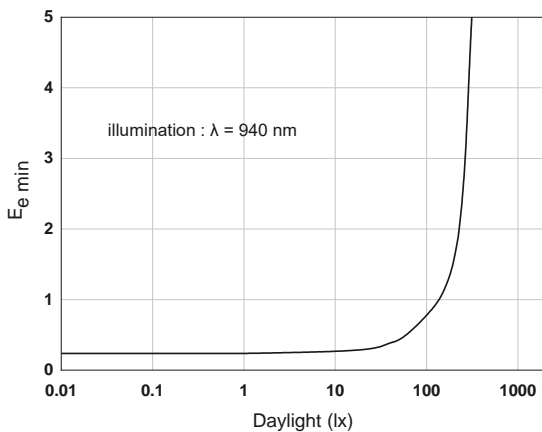


Fig. 8 Daylight vs.  $E_{e \min}$ .

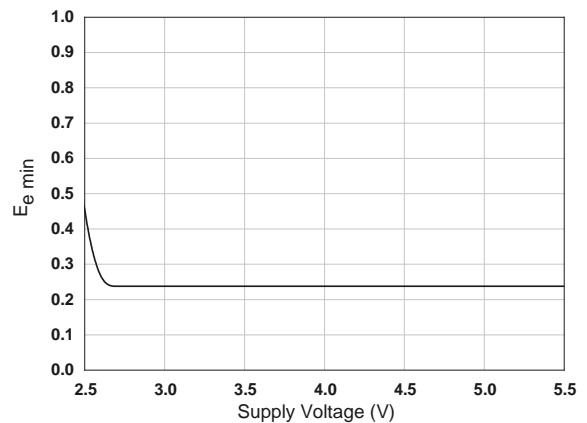


Fig. 9  $E_{e \min}$ . vs. Supply Voltage

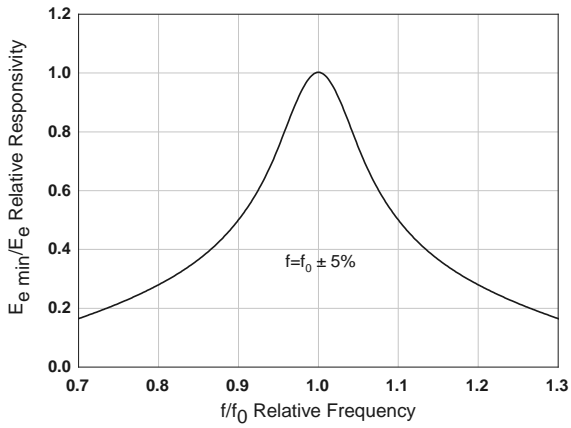


Fig. 10 Frequency Dependence of Responsivity

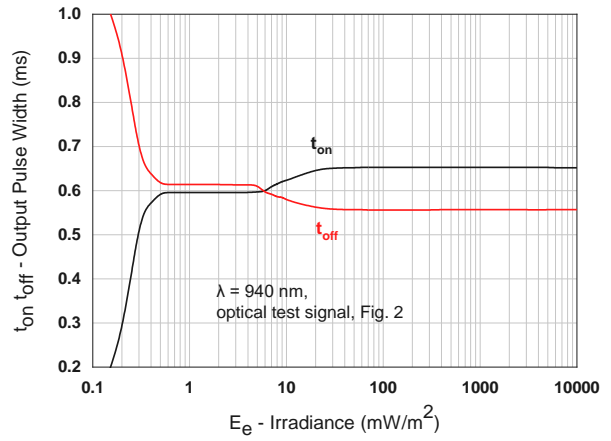


Fig. 11 Output Pulse Diagram

Note: The graphs shown in this datasheet are representing typical data only and do not show guaranteed values.

EVERLIGHT

## Application considerations

IRM IR receiver modules are high gain analog components to reach a long reception range. However, due to the high gain, they are also sensitive to noise from the power supply like  $V_{cc}$  ripple. Noise on the power supply can reduce the reception range of the IRM or cause output glitches and corrupted data. To protect the IRM receiver from power supply noise, a RC filter must be connected as close as possible to the  $V_{cc}$  and GND pins of the IRM. The circuit below in figure 12 shows the configuration of the RC filter and the required values. Ceramic or tantalum capacitor should be used, as standard electrolytic capacitors are only suitable for low frequencies and might not be able to filter noise in the frequency range of the IRM. The IRM receiver is most sensitive to noise which is at the carrier frequency or close to the carrier frequency. When using a switching mode power supply, the switching frequency must not be the same as the carrier frequency of the IRM. A gap of at least 20kHz between the switching frequency of the power supply and the IRM carrier frequency is recommended.

If the trace from the IRM output pin to the decoder IC on the PCB is long, the parasitic capacitance might be high causing slow rise times of the IRM output signal. In such case, an additional pull up resistor of 10kOhm or higher can be added at the IRM output to reduce the influence of parasitic trace capacitance.

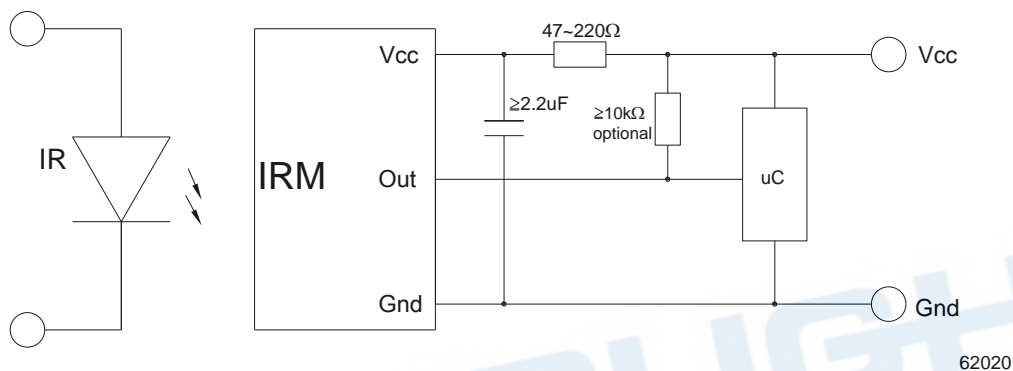


Fig.12: application circuit

## Code compatibility

The EAIRMLA2 receiver modules are mainly designed for remote control applications which require very high noise immunity. Hence the IR code compatibility is matched for the most common IR protocols. To guarantee a proper data signal reception, a few points need to be taken into consideration.

The signal transmission must be carried out in data packages with limited length followed by a data pause time of a certain length. Continuous data transmission is not applicable as such kind of signal will be judged as noise and suppressed after a short time. Table1 below shows the compatibility to most commonly used IR protocols. If an IR protocol is not listed in this table, the compatibility needs to be checked according to the burst times, gap times, data package length and data pause time. The required limits for these items are shown in table 2 "acceptable IR signal timings".

Protocol	Suitable	Protocol	Suitable	Protocol	Suitable
NEC	Yes	Sharp	Yes	RCMM	Yes
RC5	Yes	Mitsubishi	Yes	XMP	Yes
RC6	Yes	RCA	Yes	Continuous <sup>(note3)</sup>	Yes
Toshiba	Yes	RECS-80	Yes		

Note3: Continuous code need less than  $T_B$ -max

Table 1: IR protocol compatibility

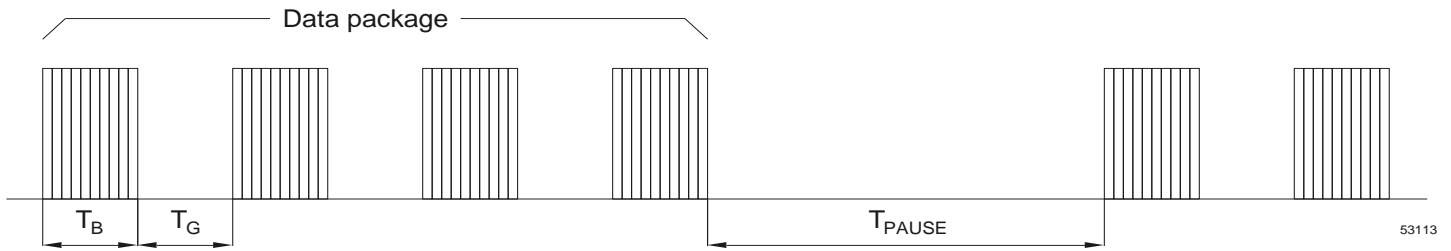


Fig.13: general IR data structure

	EAIRMLA2
Min. burst length $T_{B-min}$	150us
Max. burst length $T_{B-max}$	700us
Min. gap time after each burst (For bursts less than 700 usec)	275us
Min. gap time in the data stream (For bursts greater than 700 usec)	$T_{pause} > (2 \times \text{burst length}) + 30\text{msec}$
Maximum number of the continuous data	2000 Bit/second

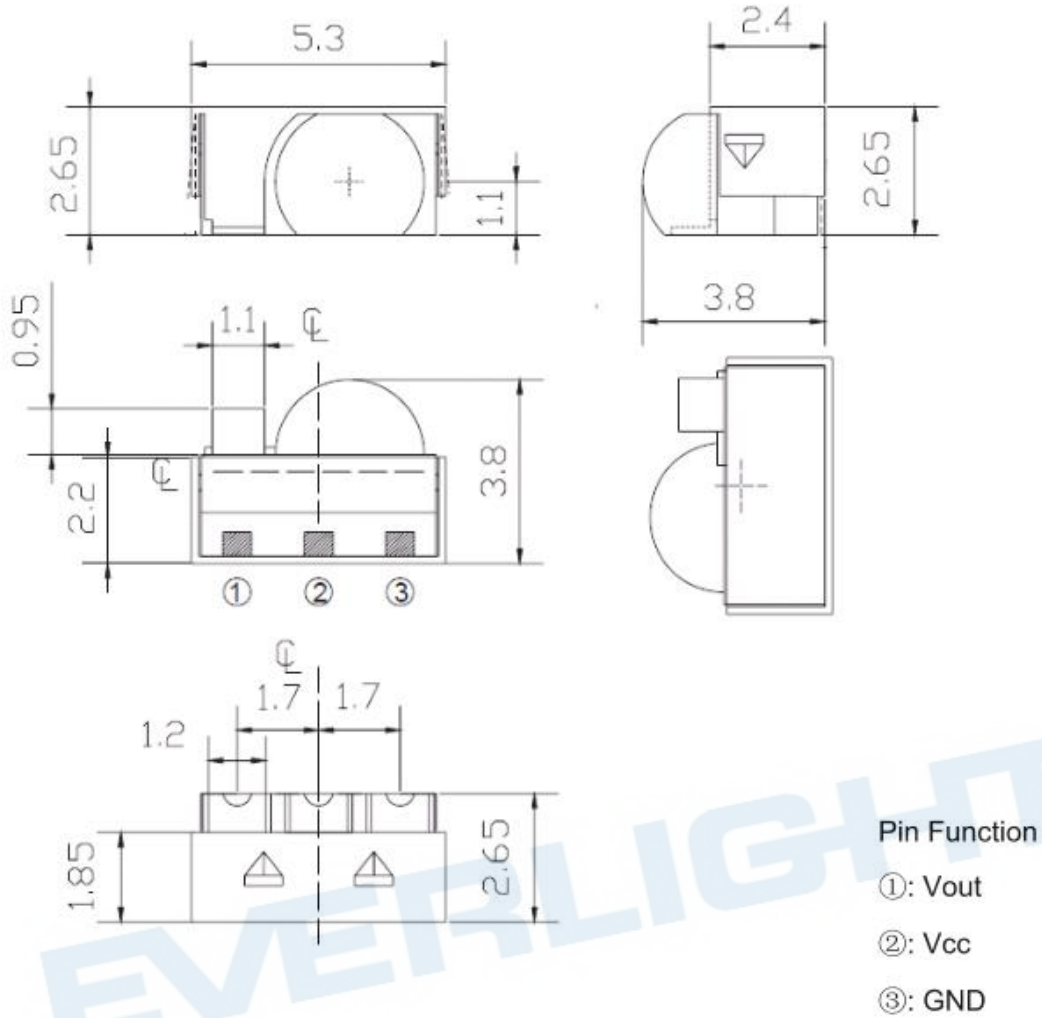
Table 2: acceptable IR timings

## Operation under noisy environment

The EAIRMLA2 receiver modules are designed for high light noise immunity, especially for noise from fluorescent and energy saving lamps and noise from TFT TVs with CCFL backlight. The receiver is able to suppress most optical noise, but the presence of any kind of optical noise will cause shorter reception range because the AGC will reduce the gain to suppress the noise.

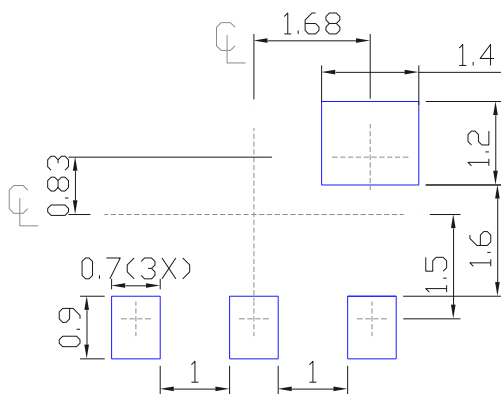
The presence of noise can also affect the output pulse jitter. In such case, the output pulse jitter shown in the electro-optical specification above, might not be valid anymore and bigger pulse jitter can occur. This behavior needs to be considered when tuning the timing limits of the decoder. It is recommended to use the output pulse variation shown in the electro-optical specifications above as a base to set the timing limits of the decoder. However, due to different protocols and environmental conditions, other timing limits might result in better performance and decoding security. This needs to be verified for the specific application by testing under different noise conditions.

Package Dimension



Note: Tolerances unless mentioned  $\pm 0.5\text{mm}$ . Unit: mm

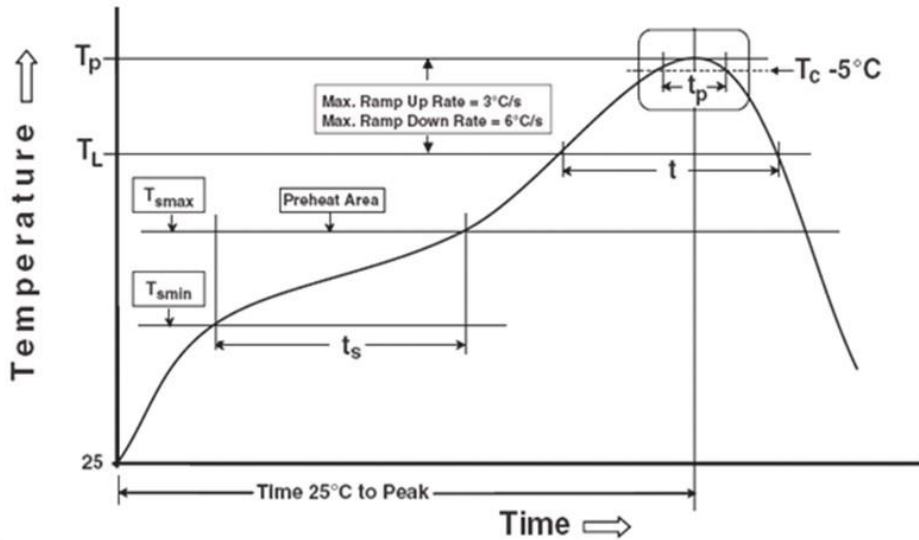
Recommended pad layout for surface mount leadform



Notice: Suggested pad dimension is just for reference only.  
Please modify the pad dimension based on individual need.



## Solder Reflow Temperature Profile



Note:

Reference: IPC/JEDEC J-STD-020D

### Preheat

Temperature min ( $T_{smin}$ )	150 °C
Temperature max ( $T_{smax}$ )	200°C
Time ( $T_{smin}$ to $T_{smax}$ ) ( $t_s$ )	60-120 seconds
Average ramp-up rate ( $T_{smax}$ to $T_p$ )	3 °C/second max

### Other

Liquidus Temperature ( $T_L$ )	217 °C
Time above Liquidus Temperature ( $t_L$ )	60-100 sec
Peak Temperature ( $T_p$ )	260°C
Time within 5 °C of Actual Peak Temperature: $T_p - 5^\circ\text{C}$	30 s
Ramp- Down Rate from Peak Temperature	6°C /second max.
Time $25^\circ\text{C}$ to peak temperature	8 minutes max.
Reflow times	2 times

Note:

1. Reflow soldering should not be done more than two times.
2. When soldering, do not put stress on the IRM device during heating.
3. After soldering, do not warp the circuit board.

## DISCLAIMER

1. EVERLIGHT reserves the right(s) on the adjustment of product material mix for the specification.
2. The product meets EVERLIGHT published specification for a period of twelve (12) months from date of shipment.
3. The graphs shown in this datasheet are representing typical data only and do not show guaranteed values.
4. When using this product, please observe the absolute maximum ratings and the instructions for using outlined in these specification sheets. EVERLIGHT assumes no responsibility for any damage resulting from the use of the product which does not comply with the absolute maximum ratings and the instructions included in these specification sheets.
5. These specification sheets include materials protected under copyright of EVERLIGHT. Reproduction in any form is prohibited without obtaining EVERLIGHT's prior consent.
6. This product is not intended to be used for military, aircraft, automotive, medical, life sustaining or life saving applications or any other application which can result in human injury or death. Please contact authorized EVERLIGHT sales agent for special application request.

EVERLIGHT